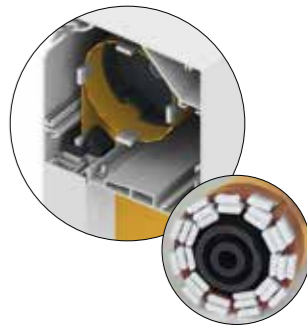


zip\_2.0 – SIMPLY UNIQUE  
*The hard facts speak for themselves*

The MHZ zip\_2.0 window awning is available in two cassette sizes and can be used to shade even large windows spanning up to 20 square metres.

The patented glider system ensures that the fabric looks perfectly smooth. With the gliders arranged in line with the Fibonacci Sequence, the fabric fits nice and compactly in the narrow cassette and can be extended and retracted with ease.



Patented MHZ glider system

The fabric looks perfectly smooth thanks to the adjustable two-part guide rails that make it easy to correct installation tolerances.



Two-part guide rail

*Product benefits at a glance*

- One window awning – no end of options
- Perfectly smooth fabric and operation
- Simple yet stunning design
- Two-part guide rail
- Straightforward servicing (without having to dismantle the whole system)



We would be pleased to advise you:

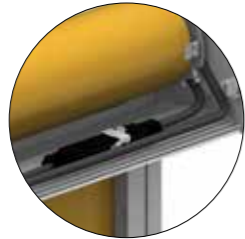
Subject to technical changes and colour deviations. 07-8183-408 / 03.2021



zip\_2.0 window awning

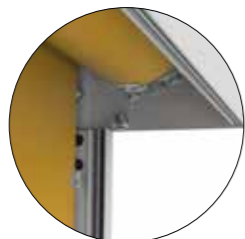
*With extra features*

Neat and tidy: The Hirschmann plug coupling can be fully integrated and secured in the cassette if required.



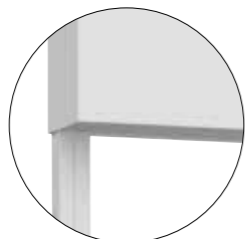
Integrated Hirschmann plug

The two-part structure of the guide rail and cast bearing - another one of MHZ's own developments - makes it easy for the fabric tube to be removed from below via the service hatch.



Straightforward servicing without having to dismantle the system

The small type S drop rail disappears all the way inside the cassette, creating a lovely flush appearance. Combined with the 110 mm and 150 mm cassettes, the zip\_2.0 window awning can be allocated a wind resistance class of up to WRC 3 (type S) or even up to WRC 6 (type M).



Type S drop rail, retracted



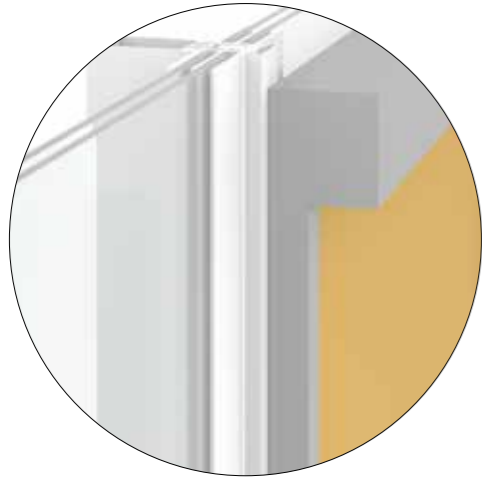
Type M drop rail, retracted

Extra feature

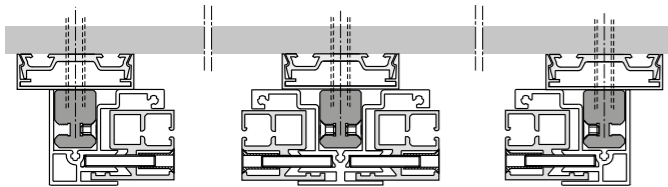
## POST-AND-BEAM FACADE

*Double guide rail for direct installation*

Models 48-1074/1075 for direct installation on a post-and-beam facade.



Installation on a post-and-beam facade



### *Product benefits at a glance*

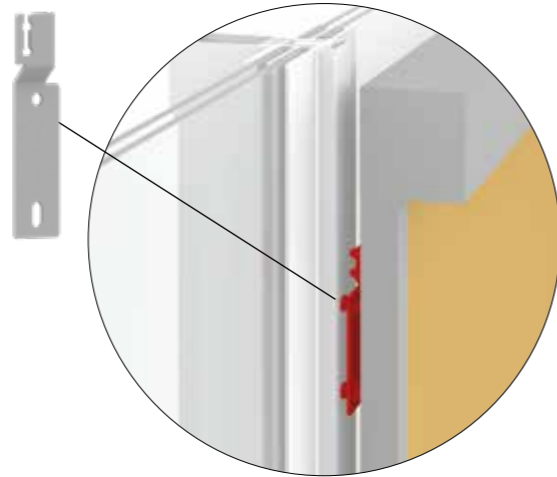
- Simple yet stunning design
- Option of installation in a row
- Option of installation with stud bolts
- Tolerances can be corrected by +/- 3 mm on each side

Extra feature

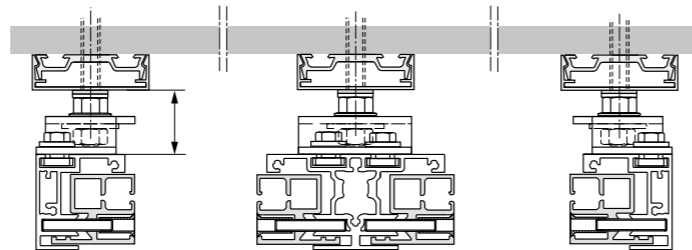
## POST-AND-BEAM FACADE

*Offset installation with mounting plates*

Models 48-1067/1068/1072/1073 for installation with mounting plates on a post-and-beam facade. Also available with a double guide rail for models 48-1067/1068.



Installation with a mounting plate, spacing approx. 28 mm



### *Product benefits at a glance*

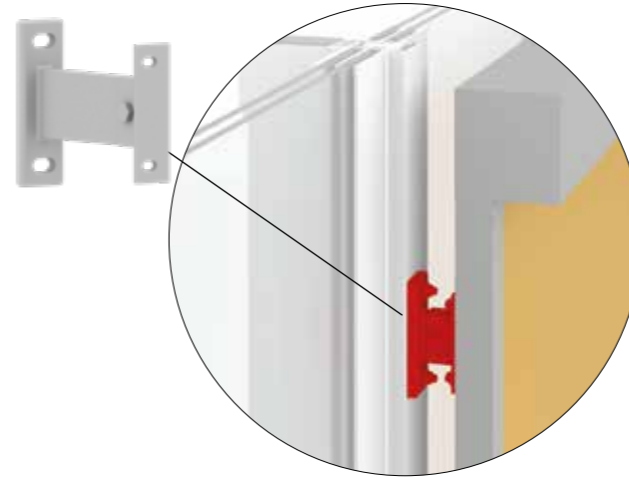
- Simple yet stunning design
- Option of installation in a row and a stepped system
- Reduced installation time
- Tolerances can be corrected by +/- 3 mm on each side

Extra feature

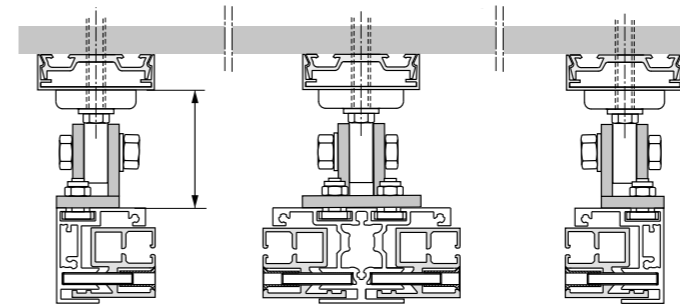
## POST-AND-BEAM FACADE

*Offset installation with spacers*

Models 48-1067/1068/1072/1073 for installation with spacers on a post-and-beam facade. Also available with a double guide rail for models 48-1067/1068.



Installation with spacers from 50 to 150 mm in three increments



### *Product benefits at a glance*

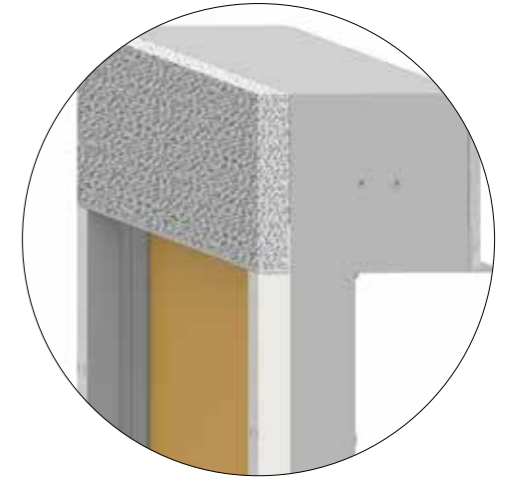
- Simple yet stunning design
- Option of installation in a row and a stepped system
- Reduced installation time
- Tolerances can be corrected by +/- 3 mm on each side

Extra feature

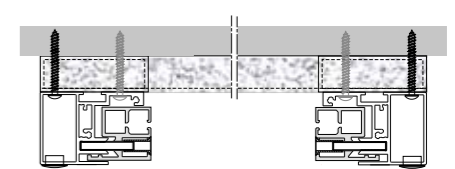
## INSULATION

*On the rear of the cassette*

If a building needs full heat protection, models 48-1070/1071 can easily be adjusted to the structural conditions and fitted with extra insulation on the rear if necessary.



ZIP system with rear insulation



### *Product benefits at a glance*

- Suitable for a range of structural conditions
- Option to add rectangular profiles for spacing, a rear L-bracket or a rear insulation panel