



ZIP-Shade zip_2.0

Textile shading system for large and small dimensions



A new era of window shades

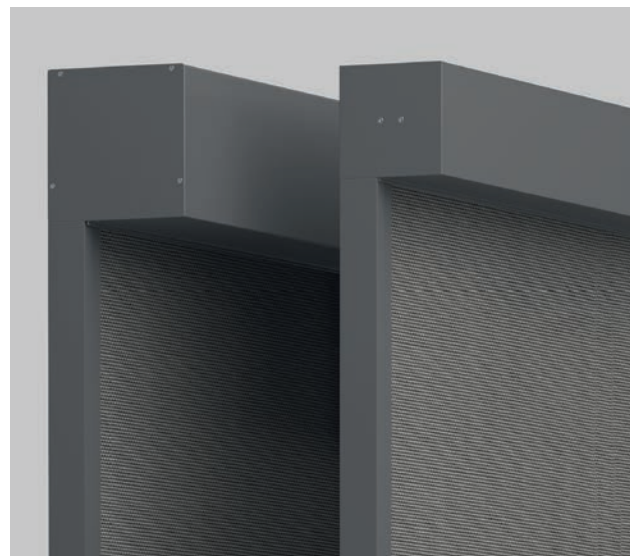
Sunshade in perfection

The provision of natural daylight plays an important role in modern architecture. Large glass facades create spaces flooded with light and contribute to the passive generation of energy through sunlight. This provides pleasant warmth in winter, but quickly leads in summer – with no appropriate sun protection – to unbearable heat in the home.

The zip_2.0 ZIP-Shade is available in two cassette sizes and is capable to cover large glazed areas of up to 20 square metres. The MHZ-developed glider-guiding system and the use of high-quality materials make the zip_2.0 an extremely resilient sun protection product. Even in large formats, it achieves a wind resistance rating of WWK class 3 to 6.

2 |

The cubic design of the zip_2.0 is at the same time simple and exclusive and fits in perfectly with any façade arrangement. Due to its textile material, this sunshade product provides a homely feeling and therefore a perfect alternative to external Venetian blinds.

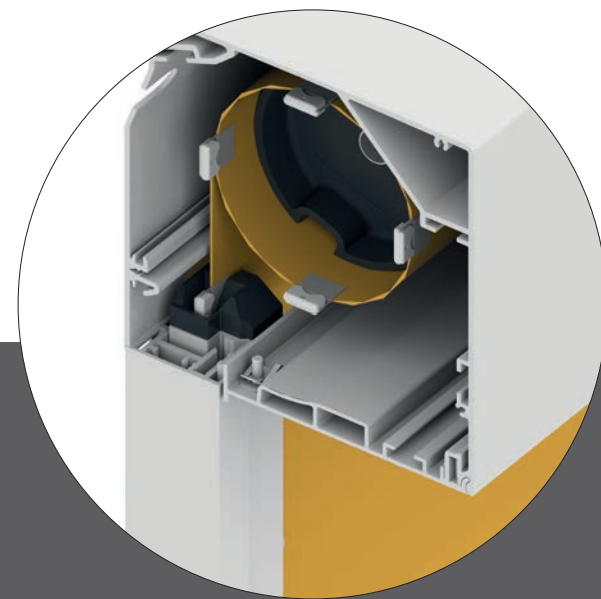


zip_2.0 - The cassettes: 150 and 110



Simply unique in terms of fabric appearance, installation and maintenance

These facts speak for themselves



Optimum fabric appearance thanks to patented glider-guiding-system

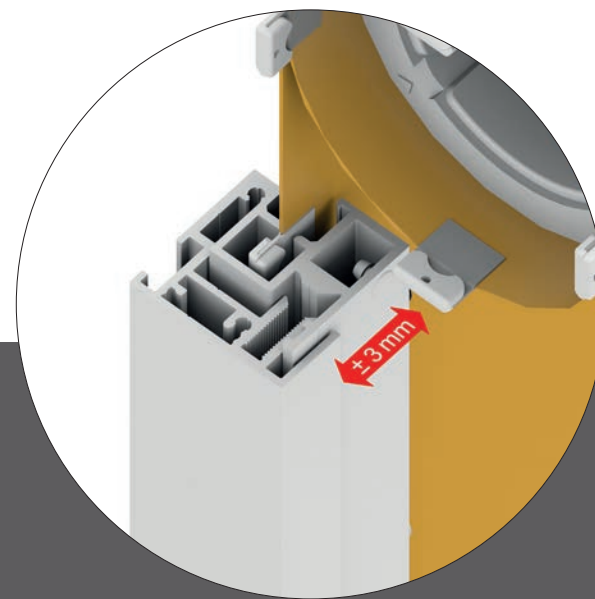
The arrangement of the gliders follows the Fibonacci sequence*: thus the fabric fits in space-saving manner into the slim cassette. Welded to the fabric, the gliders gently slide one after the other into the guide rails. They ensure smooth winding up and down and an optimum fabric appearance with no creases. The perfect conditions for long fabric life!



Conventional zip-fastener principle



Patented MHZ glider system



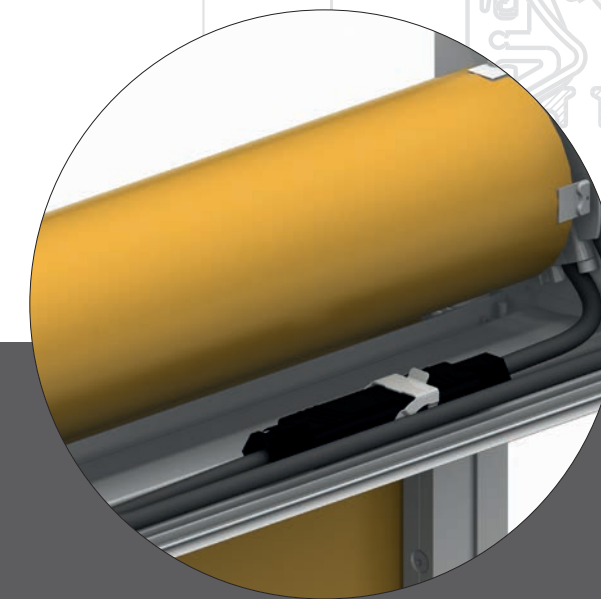
Precise installation thanks to adjustable, two-part guide rail

The side guide rails are built in two parts and are adjustable. Herewith, any building - or installation - related inaccuracies of up to 3 mm per side can be balanced during installation and the fabric appearance can be adjusted to perfection. The rails ensure the constant guiding of the gliders as the fabric is extended and retracted and make sure that it moves evenly.

The window awning can be quickly and neatly installed on the building front or window reveal.

The zip_2.0 heralds a new era of side-guided window shadings. The patented glider-guiding system developed by MHZ and the adjustable two-part guide rails make the product unique in the marketplace. The slim cassette design is both practical and ingenious:

it safely houses motor, cables and more. When necessary, the integrated service hatch allows quick access without dismantling the entire system.



Hirschmann plug integration

Compact and tidy: If desired, the Hirschmann plug coupling can be completely integrated into the cassette and fused via a cable duct. Everything thus remains in its place and setting the end position can be done quickly and easily.



Simplified inspection without dismantling the whole unit

Thanks to the two-part structure of the guide rail and of the cast bearing (also an in-house MHZ development), the fabric tube can easily be taken out from underneath via the service hatch. All that has to be done to do this is to undo two screws on each side of the shaft carriers. It couldn't be easier!

*Based on the Fibonacci sequence, the gliders are positioned in such a way that when the fabric is wound up they lie one on top of the other.



The models

Large, aesthetic and robust

The zip_2.0 is offered in two cassette sizes: 110 and 150 millimetres. It's possible to achieve widths of up to 480 centimetres, heights of up to 600 centimetres, and shading areas of up to 20 square metres.

The combination of guide rail and drop bar guarantees great wind stability of up to wind resistance class WWK 6: in the version with a type M drop bar the zip_2.0 withstands even a strong storm of 10 Beaufort force



Non-visible drop bar (type S)

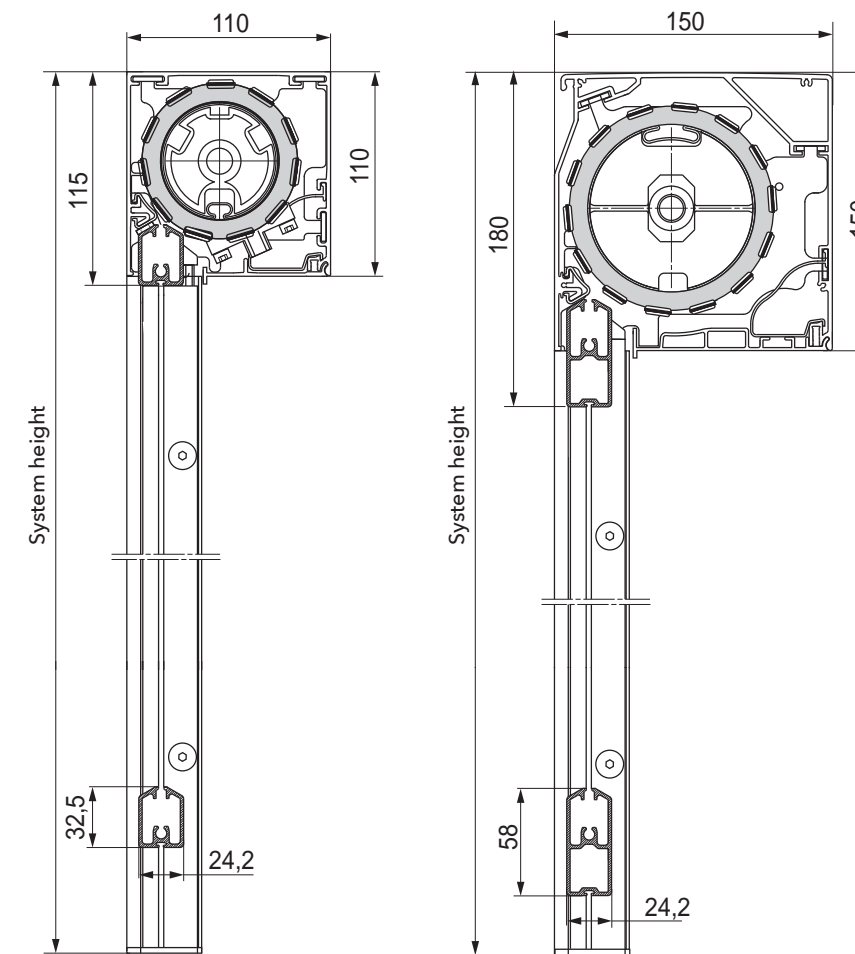
The type S drop bar disappears completely inside the cassette, resulting in an aesthetic, flush look. In combination with the 110 mm cassette, the zip_2.0 window shade achieves a wind resistance class of WWK 3.



Drop bar type S retracted



Drop bar type S extended



110 millimetre cassette with drop bar type S

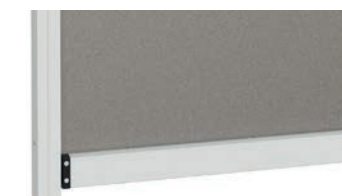
150 millimetre cassette with drop bar type M

Robust drop bar (drop bar type M)

The type M drop bar is suitable up to wind resistance class WWK 6. It retracts up to just below the cassette.



Drop bar type M retracted



Drop bar type M extended

Model overview



zip_2.0 with two-part guide rail (e.g. 150 mm cassette, drop bar type M)
Model 48-1067: 110 mm cassette
Model 48-1068: 150 mm cassette



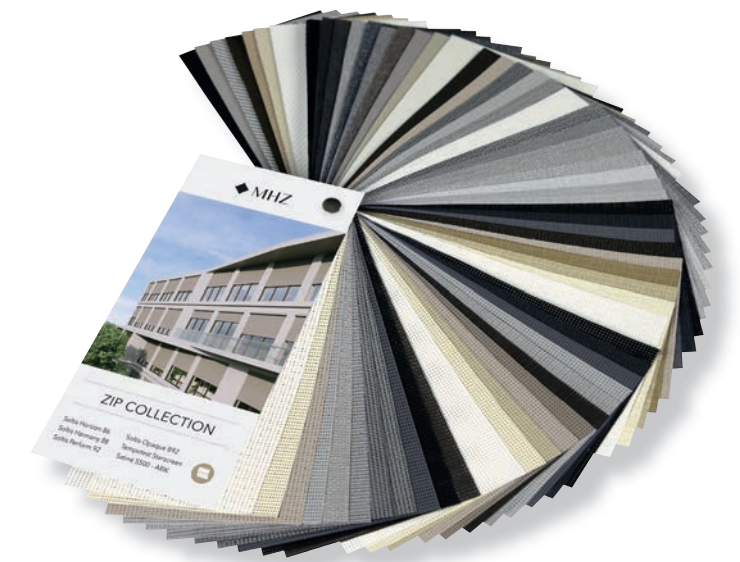
zip_2.0 variant for embedding in plaster with two-part guide rail (e.g. 150 mm cassette, drop bar type M)
Model 48-1070: 110 mm cassette
Model 48-1071: 150 mm cassette



zip_2.0 with one-part guide rail (e.g. 150 mm cassette, drop bar type M)
Model 48-1072: 110 mm cassette
Model 48-1073: 150 mm cassette

Richly varied fabric range

The perfect balance of transparency and thermal efficiency



The following fabrics are available: UNI acrylic fabric, Soltis Horizon 86, Soltis Harmony 88, Soltis Perform 92, Soltis Opaque Blackout, Starscreen and ARIK.

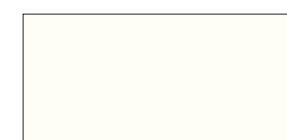
The advantages of the technical fabric range in overview:

- Sun, heat and glare protection
- Mechanically durable
- Weather- and UV-resistant
- Easy to maintain
- Tear-resistant
- Highly flame resistant
- Colour-fast and non-stretching (light-fastness 7-8)
- Energy efficient

The MHZ fabric range for zip_2.0 offers a wide selection of materials with differing surfaces, transparency levels (permeability factor), treatments and mono colours. In addition to long life, a feature of the intelligent, technical fabrics is their outstanding

thermal properties: they filter more than 85% of the solar energy and significantly improve the building's energy efficiency.

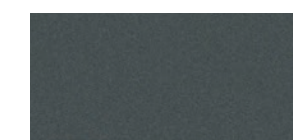
The standard frame colours



White RAL 9016



Silver RAL 9006



Anthracite DB703

Other RAL shades as per classic RAL chart (silk lustre) available on request. Special colours, such as matt, finely textured, pearl effect, signal or NCS colours on request. Plastic components generally black.

zip_2.0 - At a glance

One window shade - lots of possibilities

Cassette	Article no.	Guide rail	Motor	Min. width cm	Max. width cm	Min. height cm	Max. height cm	Surface area m ²	Drop bar	Wind res. class	Installation Front/reveal	Cassette installation Wall/ceiling	Inspection
110	48-1067	2-part	Becker C18 / E18	65	300	50	300	9	Type M	6	X	-	X
			Somfy Maestria WT	68					Type S	3			
			Somfy Maestria io	73									
	48-1070	For embedding in plaster 2-part	Becker C18 / E18	69	300	50	300	9	Type M	6	X	-	X
			Somfy Maestria WT	72					Type S	3			
			Somfy Maestria io	77									
	48-1072	1-part	Becker C18 / E18	65	300	50	300	9	Type M	6	X	-	-
			Somfy Maestria WT	68									
			Somfy Maestria io	73									
150	48-1068	2-part	Becker C18 / E18	65	480	80	600	20	Type M	6	X	X	X
			Somfy Maestria WT	68					Type S	0			
			Somfy Maestria io	73									
	48-1071	For embedding in plaster 2-part	Becker C18 / E18	69	480	80	600	20	Type M	6	X	X	X
			Somfy Maestria WT	72					Type S	0			
			Somfy Maestria io	77									
	48-1073	1-part	Becker C18 / E18	65	480	80	600	20	Type M	6	X	X	-
			Somfy Maestria WT	68									
			Somfy Maestria io	73									

We're at your service!

Benefit from our 90 years of experience! We will assist you with your project from the initial planning, through the building stage and all the way to completion.

With around 1,200 employees, MHZ Hachtel GmbH & Co. KG is one of the strongest businesses in the privacy and sun protection sector in Germany. We stand for innovative spirit and top quality standards.

We express this in everything we do, including our made-to-measure sun protection systems. Discover discerning design, energy-efficient products and our exclusive custom constructions that we have created with prestigious partners.

The benefits to you

Product

- **Optimum fabric appearance and quiet running**

The patented glider-guiding system creates a fabric appearance completely different to that of zip systems using the conventional zip-fastener principle.

- **Purist aesthetics**

The cubic look of the zip_2.0 fits perfectly into every façade design.

- **Flush appearance**

The type S drop bar completely disappears inside the cassette.

Maintenance and installation

- **Two-part guide rail**

Building- or installation-related inaccuracies can be offset by up to 3 mm per side.

- **Hirschmann plug integration inside cassette**

Quick connection and disconnection from the power supply simplifies commissioning and setting of the system's end position.

- **Easy inspection without taking down the whole system**

For maintenance, two screws on each side of the motor bearing and counter bearing simply have to be undone.



Subject to technical changes and colour deviations. 07-8166-408 / 11.2019