

Roller blinds technical data



04-1620 BASIC
Page 52-58



04-2450 PUR
Page 60-61



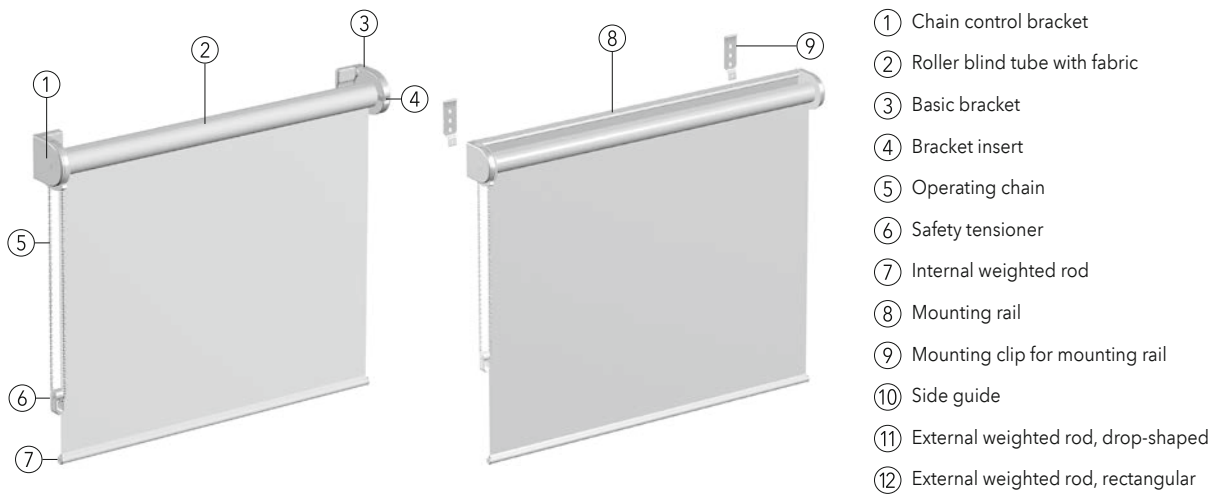
04-2445 MOTION
Page 62-65



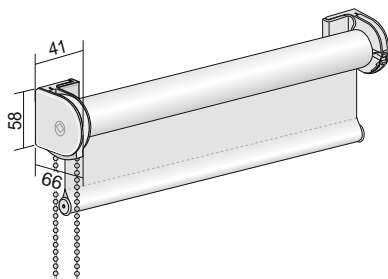
04-2501 BIG
Page 66-72

04-1620 BASIC bracket

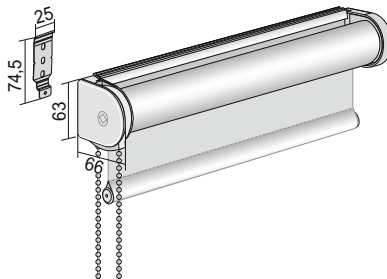
Hardware



Installation options



Wall/ceiling installation with bracket



Wall/ceiling installation with mounting rail and clip

Technical data

- Model:** 04-1620
- Operation options:**
- Operating chain
 - Electric drive 24 V
 - Electric radio drive 24 V
- Equipment:**
- Bracket mounting
 - Mounting rail with clip
- Description:**
- Operating chain:** Chain operation roller blind with integrated chain gear, rotating chain sprocket cover and brake, transparent endless bead chain on left or right. Painted white steel roller blind tube, ø 25 mm up to width 180 cm, ø 38 mm up to width 280 cm. Internal steel tube weighted rod ø 12 mm, white-coated.
- Electric drive 24 V:** Electric roller blind 24 V with Roll Up 28 WT drive, with adjustable final position switch-off, aluminium roller blind tube ø 29 mm. With Sonesse DCT drive or Sonesse RTS drive with integrated radio receiver. Both are extremely low noise and have an adjustable final position switch-off. Painted white steel roller blind tube ø 38 mm. Internal steel tube weighted rod ø 12 mm, white-coated. For electrical accessories, see the separate MHZ Electrical Price List.

- Hardware colours:**
- 100 silver coloured
171 white
670 black (see page 8)
RAL colours on request

Dimensions:	Operation/Function	Blind unit sizes		
		Min. width	Max. width	Max. height
	Operating chain	from 10 cm	up to 280 cm	300 cm
	Electric drive 24 V, Roll Up 28 WT	from 35 cm	up to 180 cm	300 cm
	Electric drive 24 V, Sonesse DCT	from 52.5 cm	up to 280 cm	300 cm
	Electric radio drive 24 V, Sonesse RTS	from 52.5 cm	up to 280 cm	300 cm

**Please note: If the width to height ratio is greater than 1:4, there is an increased risk of skewing.
If in doubt, please enquire in advance. For recess installation: width = recess dimension - 2 mm.**

- Fabrics:** See MHZ Collection.
MHZ roller blinds are made without a transverse seam wherever possible. The remaining length with the transverse seam is positioned at the top. Note the fitting instructions regarding fabric qualities and the transverse seam in the roller blind catalogue, "Textile notes" section.

- Fabric size:** See page 58 for precise information on how to calculate the fabric size.

- Additional equipment:**
- Transparent plastic chain with black cord
 - Metal chain
 - External aluminium weighted rod (100, 171): drop-shaped 12 x 21 mm, rectangular 8 x 25 mm
 - Side guide (not for rectangular weighted rod)
 - Fabric exit at front (bracket models only)

Installation:	Bracket mounting:	Mounting rail:
	<ul style="list-style-type: none"> - Bracket for wall, ceiling and recess installation - Clamp bracket - Extension pieces for larger wall clearances 	Mounting clip for wall and ceiling installation, 3 clips up to a width of 100 cm, 4 clips up to a width of 200 cm, 5 clips up to a width of 280 cm.

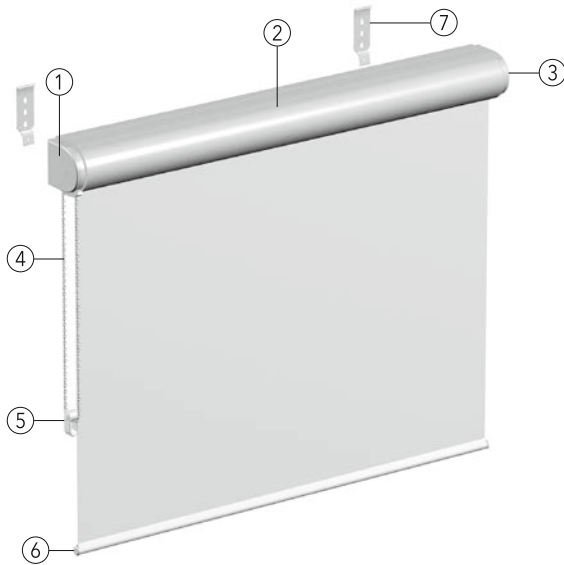
- Child safety:** The safety tensioner is supplied pre-fitted on the operating chain, see also page 76.
Caution: Be sure to fit in correct direction and to keep chain taut. Correct positioning of the safety tensioner must be checked regularly and, in the case of doubt, re-adjusted.

- Operation lengths:** Operation length from 50 cm to 150 cm in 10 cm increments, operation length from 175 cm to 300 cm in 25 cm increments. Delivery with the exact or next smaller operation length. Other operation lengths available on request (surcharge applies). Please also see the note on page 76.

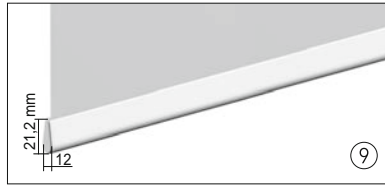
Technical data

04-1620 BASIC cassette

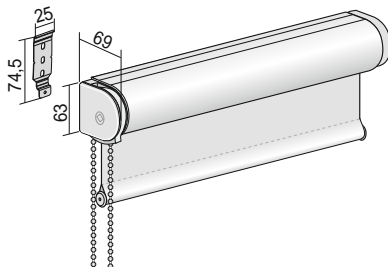
Hardware



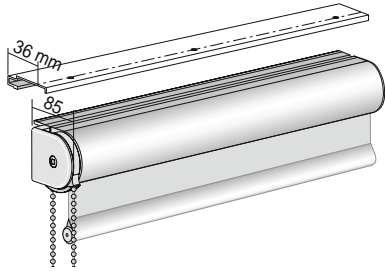
- ① Chain control bracket
- ② Cassette
- ③ Counter bearing
- ④ Operating chain
- ⑤ Safety tensioner
- ⑥ Internal weighted rod
- ⑦ Mounting clip
- ⑧ Side guide
- ⑨ External weighted rod, drop-shaped
- ⑩ External weighted rod, rectangular



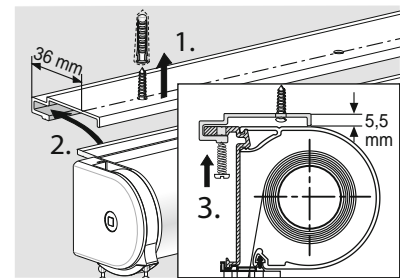
Installation options



Wall installation
with mounting clip



Ceiling installation
with mounting profile



Ceiling installation: dimensions of the drill
holes provided in the mounting profile

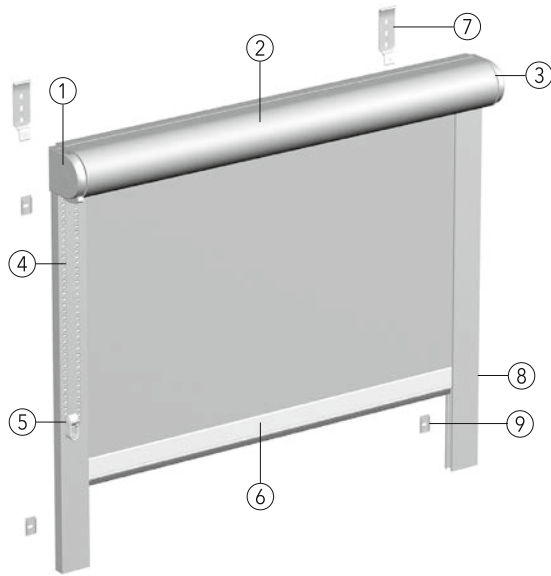
Technical data

Model:	04-1620																							
Operation options:	<ul style="list-style-type: none"> - Operating chain - Electric drive 24 V - Electric radio drive 24 V 																							
Equipment:	<ul style="list-style-type: none"> - Cassette 																							
Description:	<p>Operating chain: Chain operation roller blind with integrated chain gear, rotating chain sprocket cover and brake, transparent endless bead chain on left or right. Painted white steel roller blind tube, \varnothing 25 mm up to 180 cm, \varnothing 38 mm up to 280 cm. Extruded aluminium cover. Internal steel tube weighted rod \varnothing 12 mm, white-coated.</p> <p>Electric drive 24 V: Electric roller blind 24 V with Roll Up 28 WT drive, with adjustable final position switch-off, aluminium roller blind tube \varnothing 29 mm. With Sonesse DCT drive or Sonesse RTS drive with integrated radio receiver. Both are extremely low noise and have an adjustable final position switch-off. Painted white steel roller blind tube \varnothing 38 mm. Extruded aluminium cover. Internal steel tube weighted rod \varnothing 12 mm, white-coated. For electrical accessories, see the separate MHZ Electrical Price List.</p>																							
Hardware colours:	<p>100 silver anodised 171 white powder-coated RAL colours on request</p>																							
Dimensions:	<table border="1"> <thead> <tr> <th rowspan="2">Operation/Function</th> <th colspan="3">Blind unit sizes</th> </tr> <tr> <th>Min. width</th> <th>Max. width</th> <th>Max. height</th> </tr> </thead> <tbody> <tr> <td>Operating chain</td> <td>from 10 cm</td> <td>up to 280 cm</td> <td>300 cm*</td> </tr> <tr> <td>Electric drive 24 V, Roll Up 28 WT</td> <td>from 35 cm</td> <td>up to 180 cm</td> <td>300 cm**</td> </tr> <tr> <td>Electric drive 24 V, Sonesse DCT</td> <td>from 52.5 cm</td> <td>up to 280 cm</td> <td>300 cm*</td> </tr> <tr> <td>Electric radio drive 24 V, Sonesse RTS</td> <td>from 52.5 cm</td> <td>up to 280 cm</td> <td>300 cm*</td> </tr> </tbody> </table> <p>* 25 mm roller blind tube: max. fabric thickness 0.6 mm; 38 mm roller blind tube: max. fabric thickness 0.42 mm; ** 29 mm roller blind tube: max. fabric thickness 0.57 mm</p> <p>Please note: If the width to height ratio is greater than 1:4, there is an increased risk of skewing. If in doubt, please enquire in advance. For recess installation: width = recess dimension - 2 mm.</p>	Operation/Function	Blind unit sizes			Min. width	Max. width	Max. height	Operating chain	from 10 cm	up to 280 cm	300 cm*	Electric drive 24 V, Roll Up 28 WT	from 35 cm	up to 180 cm	300 cm**	Electric drive 24 V, Sonesse DCT	from 52.5 cm	up to 280 cm	300 cm*	Electric radio drive 24 V, Sonesse RTS	from 52.5 cm	up to 280 cm	300 cm*
Operation/Function	Blind unit sizes																							
	Min. width	Max. width	Max. height																					
Operating chain	from 10 cm	up to 280 cm	300 cm*																					
Electric drive 24 V, Roll Up 28 WT	from 35 cm	up to 180 cm	300 cm**																					
Electric drive 24 V, Sonesse DCT	from 52.5 cm	up to 280 cm	300 cm*																					
Electric radio drive 24 V, Sonesse RTS	from 52.5 cm	up to 280 cm	300 cm*																					
Fabrics:	<p>See MHZ Collection. MHZ roller blinds are made without a transverse seam wherever possible. The remaining length with the transverse seam is positioned at the top. Note the fitting instructions regarding fabric qualities and the transverse seam in the roller blind catalogue, "Textile notes" section.</p>																							
Fabric size:	See page 58 for precise information on how to calculate the fabric size.																							
Additional equipment:	<ul style="list-style-type: none"> - Metal chain - External aluminium weighted rod (100, 171): drop-shaped 12 x 21 mm, rectangular 8 x 25 mm - Side guide (not for rectangular weighted rod) - Aluminium cover caps 																							
Installation:	<ul style="list-style-type: none"> - Mounting clip for wall installation, 3 clips up to a width of 100 cm, 4 clips up to a width of 200 cm, 5 clips up to a width of 280 cm. - Ceiling installation with mounting profile 																							
Child safety:	<p>The safety tensioner is supplied pre-fitted on the operating chain, see also page 76. Caution: Be sure to fit in correct direction and to keep chain taut. Correct positioning of the safety tensioner must be checked regularly and, in the case of doubt, re-adjusted.</p>																							
Operation lengths:	Operation length from 50 cm to 150 cm in 10 cm increments, operation length from 175 cm to 300 cm in 25 cm increments. Delivery with the exact or next smaller operation length. Other operation lengths available on request (surcharge applies). Please also see the note on page 76.																							

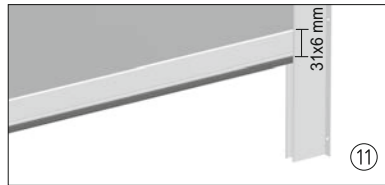
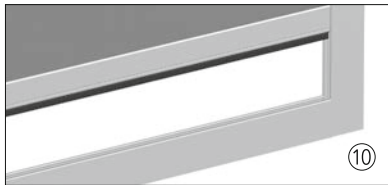
04-1626 BASIC cassette

Side guide profile

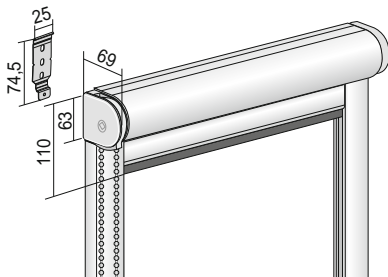
Hardware



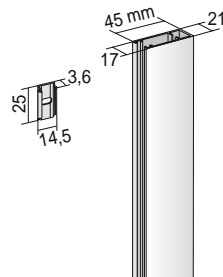
- ① Chain control gear
- ② Cassette
- ③ Counter bearing
- ④ Operating chain
- ⑤ Safety tensioner
- ⑥ External weighted rod with sealing lip
- ⑦ Mounting clip
- ⑧ Side guide profile
- ⑨ Mounting clip for side guide profile
- ⑩ Bottom rail
- ⑪ Side guide profile for recess installation (rear view)



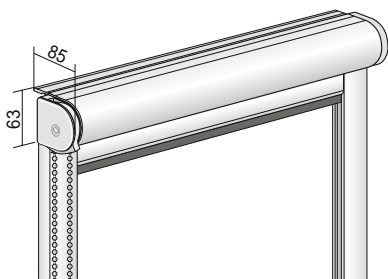
Installation options



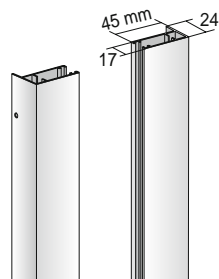
Wall installation with mounting clip



Side guide profile for wall installation with mounting clip



Cassette for recess installation



Side guide profile for recess installation

Technical data

Model: 04-1626

Operation options:

- Operating chain
- Electric drive 24 V
- Electric radio drive 24 V

Equipment:

- Cassette
- Cassette with bottom rail

Description: **Operating chain:** Chain operation roller blind with integrated chain gear, rotating chain sprocket cover and brake, transparent endless bead chain on left or right. Painted white steel roller blind tube, ø 25 mm up to 180 cm, ø 38 mm up to 280 cm. Extruded aluminium profiles. Side guide profiles and, where applicable, bottom rail with brush seals, external aluminium weighted rod 6 x 31 mm with sealing lip.

Electric drive 24 V: Electric roller blind with 24 V LT 28 drive with adjustable final position switch-off, aluminium roller blind tube ø 29 mm. With Sonesse DCT drive or Sonesse RTS drive with integrated radio receiver. Both are extremely low noise and have an adjustable final position switch-off. Painted white steel roller blind tube ø 38 mm. Extruded aluminium profiles. Side guide profiles and, where applicable, bottom rail with brush seals. External aluminium weighted rod 6 x 31 mm with sealing lip. For electrical accessories, see the separate MHZ Electrical Price List.

Hardware colours:

100 silver anodised
171 white powder-coated
RAL colours on request

Dimensions:	Operation/Function	Blind unit sizes		
		Min. width	Max. width	Max. height
	Operating chain	from 10 cm	up to 280 cm	300 cm*
	Electric drive 24 V, LT 28	from 35 cm	up to 180 cm	300 cm**
	Electric drive 24 V, Sonesse DCT	from 52.5 cm	up to 280 cm	300 cm*
	Electric radio drive 24 V, Sonesse RTS	from 52.5 cm	up to 280 cm	300 cm*

* 25 mm roller blind tube: max. fabric thickness 0.6 mm; 38 mm roller blind tube: max. fabric thickness 0.42 mm; ** 29 mm roller blind tube: max. fabric thickness 0.57 mm

Please note: If the width to height ratio is greater than 1:4, there is an increased risk of skewing.

Fabrics: See MHZ Collection.
MHZ roller blinds are made without a transverse seam wherever possible. The remaining length with the transverse seam is positioned at the top.
Note the fitting instructions regarding fabric qualities and the transverse seam in the roller blind catalogue, "Textile notes" section.

Fabric size: See page 58 for precise information on how to calculate the fabric size.

Additional equipment:

- Metal chain
- Aluminium cover caps, not for recess installation

Installation:	Cassette:	Side guide profiles and bottom rail:
	<ul style="list-style-type: none"> - Mounting clip for wall installation, 3 clips up to a width of 100 cm, 4 clips up to a width of 200 cm, 5 clips up to a width of 280 cm. - Direct recess installation with special cassette (only suitable for solid substructures, minimum wall clearance of 3 cm). 	<ul style="list-style-type: none"> - Mounting clip for wall installation - Direct recess installation on straight (90°) frame.

Child safety: The safety tensioner is supplied pre-fitted on the operating chain, see also page 76.
Caution: Be sure to fit in correct direction and to keep chain taut. Correct positioning of the safety tensioner must be checked regularly and, in the case of doubt, re-adjusted.

Operation lengths: Operation length from 50 cm to 150 cm in 10 cm increments, operation length from 175 cm to 300 cm in 25 cm increments. Delivery with the exact or next smaller operation length. Other operation lengths available on request (surcharge applies). Please also see the note on page 76.

Note: Cassette roller blinds and rail-guided units may only be lowered with the window closed. Otherwise there is the risk of a suction effect developing, which can pull the blind out of its side rails. If the unit is retracted in this condition, it may become damaged. Side guide profiles only have a dim-out effect.

BASIC roller blind - Calculation of fabric size

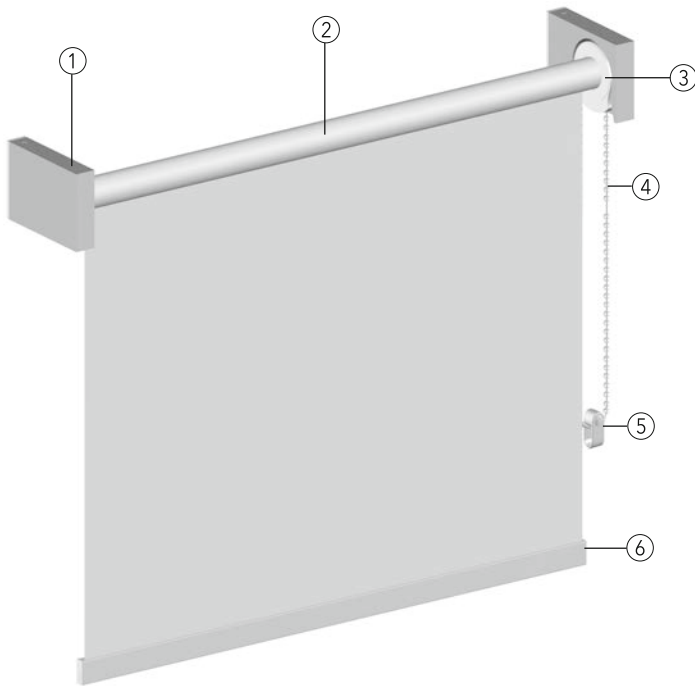
Fabric size = unit width minus the stated dimensions

BASIC

Model	Operation option	Equipment	Unit height	Fabric size
04-1620	Operating chain	Bracket mounting	up to 250 cm	Unit width - 40 mm
04-1620	Operating chain	Bracket mounting	from 250 cm	Unit width - 44 mm
04-1620	Electric drive 24 V, Roll Up 28 WT	Bracket mounting	up to 250 cm	Unit width - 48 mm
04-1620	Electric drive 24 V, Roll Up 28 WT	Bracket mounting	from 250 cm	Unit width - 52 mm
04-1620	Electric drive 24 V, Sonesse RTS / DCT	Bracket mounting	up to 250 cm	Unit width - 47 mm
04-1620	Electric drive 24 V, Sonesse RTS / DCT	Bracket mounting	from 250 cm	Unit width - 49 mm
04-1620	Operating chain	Mounting rail with clip	up to 250 cm	Unit width - 41 mm
04-1620	Operating chain	Mounting rail with clip	from 250 cm	Unit width - 44 mm
04-1620	Electric drive 24 V, Roll Up 28 WT	Mounting rail with clip	up to 250 cm	Unit width - 44 mm
04-1620	Electric drive 24 V, Roll Up 28 WT	Mounting rail with clip	from 250 cm	Unit width - 48 mm
04-1620	Electric drive 24 V, Sonesse RTS / DCT	Mounting rail with clip	up to 250 cm	Unit width - 40 mm
04-1620	Electric drive 24 V, Sonesse RTS / DCT	Mounting rail with clip	from 250 cm	Unit width - 44 mm
04-1620	Operating chain	Cassette	up to 250 cm	Unit width - 41 mm
04-1620	Operating chain	Cassette	from 250 cm	Unit width - 44 mm
04-1620	Electric drive 24 V, Roll Up 28 WT	Cassette	up to 250 cm	Unit width - 44 mm
04-1620	Electric drive 24 V, Roll Up 28 WT	Cassette	from 250 cm	Unit width - 48 mm
04-1620	Electric drive 24 V, Sonesse RTS / DCT	Cassette	up to 250 cm	Unit width - 42 mm
04-1620	Electric drive 24 V, Sonesse RTS / DCT	Cassette	from 250 cm	Unit width - 46 mm
04-1626	Operating chain	Cassette	up to 250 cm	Unit width - 41 mm
04-1626	Electric drive 24 V, Roll Up 28 WT	Cassette	up to 250 cm	Unit width - 44 mm
04-1626	Electric drive 24 V, Sonesse RTS / DCT	Cassette	up to 250 cm	Unit width - 42 mm

04-2450 PUR

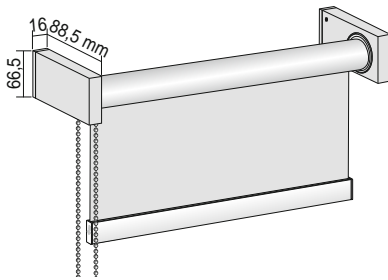
Hardware



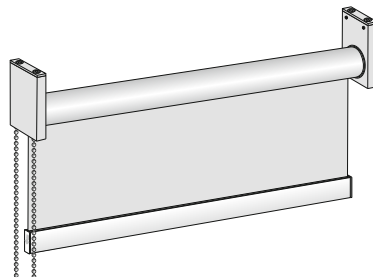
- ① PUR aluminium bracket
- ② Roller blind tube with fabric
- ③ Chain control gear
- ④ Operating chain
- ⑤ Safety tensioner
- ⑥ External weighted rod, rectangular



Installation options



Wall installation with PUR bracket



Ceiling installation with PUR bracket

Technical data

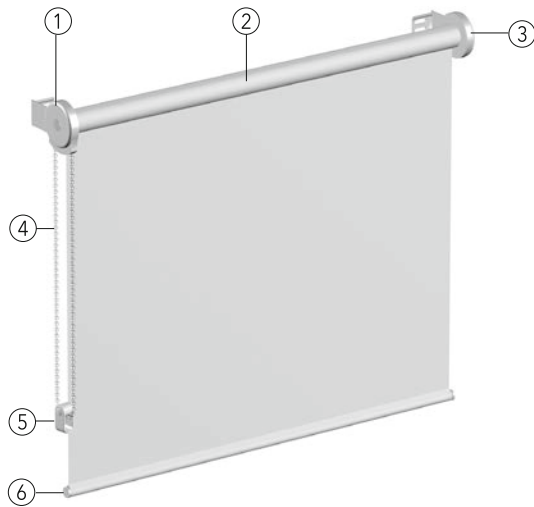
Model:	04-2450			
Operation options:	- Operating chain			
Equipment:	- Bracket mounting			
Description:	Chain operation roller blind, bracket with integrated planetary gear 1.5:1, rotating chain sprocket cover and brake, transparent endless bead chain on left or right. Painted white steel roller blind tube \varnothing 38 mm. External weighted rod, rectangular 7.6 x 25 mm.			
Hardware colours:	100 silver anodised 171 white powder-coated RAL colours on request			
Dimensions:	Operation/Function	Blind unit sizes		
		Min. width	Max. width	Max. height
	Operating chain	from 10 cm	up to 260 cm	260 cm
	<p>Please note: If the width to height ratio is greater than 1:4, there is an increased risk of skewing. If in doubt, please enquire in advance. For recess installation: width = recess dimension - 5 mm.</p>			
Fabrics:	See MHZ Collection. MHZ roller blinds are made without a transverse seam wherever possible. The remaining length with the transverse seam is positioned at the top. Note the fitting instructions regarding fabric qualities and the transverse seam in the roller blind catalogue, "Textile notes" section.			
Fabric size:	See the bottom of this page for precise information on how to calculate the fabric size.			
Additional equipment:	- Metal chain - Fabric exit at front			
Installation:	Bracket for wall/ceiling installation			
Child safety:	The safety tensioner is supplied pre-fitted on the operating chain, see also page 76. Caution: Be sure to fit in correct direction and to keep chain taut. Correct positioning of the safety tensioner must be checked regularly and, in the case of doubt, re-adjusted.			
Operation lengths:	Operation length from 50 cm to 150 cm in 10 cm increments, operation length from 175 cm to 300 cm in 25 cm increments. Delivery with the exact or next smaller operation length. Other operation lengths available on request (surcharge applies). Please also see the note on page 76.			

PUR roller blind - Calculation of fabric size

Model	Operation option	Equipment	Unit height	Fabric size
04-2450	Operating chain	Bracket mounting	up to 250 cm	Unit width - 44 mm
04-2450	Operating chain	Bracket mounting	from 250 to 260 cm	Unit width - 48 mm

04-2445 MOTION

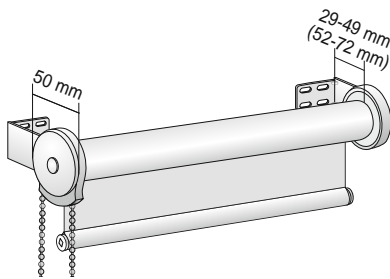
Hardware



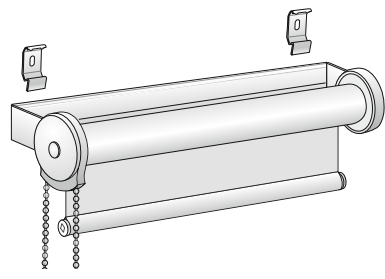
- ① Chain control gear with steel wall and ceiling brackets
- ② Roller blind tube with fabric
- ③ Counter bearing
- ④ Operating chain
- ⑤ Safety tensioner
- ⑥ Internal weighted rod
- ⑦ Side guide
- ⑧ External weighted rod, drop-shaped
- ⑨ External weighted rod, rectangular



Installation options

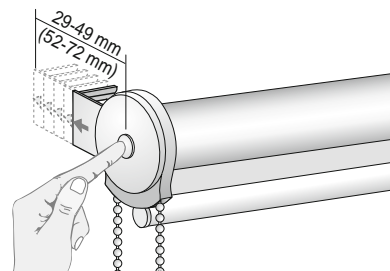


Wall/ceiling installation
with bracket



Wall/ceiling installation
with mounting rail and mounting clip

Function



Bracket with variable wall clearance

Technical data

Model:	04-2445											
Operation options:	- Operating chain											
Equipment:	- Bracket mounting - Mounting rail with clip											
Description:	Chain operation roller blind, bracket with integrated chain gear 1:1 with roller blind tube ø 25 mm, planetary gear 1.5:1 with roller blind tube ø 38 mm, rotating chain sprocket cover and brake, transparent endless bead chain on left or right. Wall clearance can be adjusted at the touch of a button. Painted white steel roller blind tube ø 25 mm up to width 180 cm, ø 38 mm up to width 260 cm. Internal steel tube weighted rod ø 12 mm, white-coated.											
Hardware colours:	100 silver coloured 171 white RAL colours on request											
Dimensions:	<table border="1"> <thead> <tr> <th rowspan="2">Operation/Function</th> <th colspan="3">Blind unit sizes</th> </tr> <tr> <th>Min. width</th> <th>Max. width</th> <th>Max. height</th> </tr> </thead> <tbody> <tr> <td>Operating chain</td> <td>from 10 cm</td> <td>up to 260 cm</td> <td>260 cm</td> </tr> </tbody> </table> <p>Please note: If the width to height ratio is greater than 1:4, there is an increased risk of skewing. If in doubt, please enquire in advance. For recess installation: width = recess dimension - 5 mm.</p>	Operation/Function	Blind unit sizes			Min. width	Max. width	Max. height	Operating chain	from 10 cm	up to 260 cm	260 cm
Operation/Function	Blind unit sizes											
	Min. width	Max. width	Max. height									
Operating chain	from 10 cm	up to 260 cm	260 cm									
Fabrics:	See MHZ Collection. MHZ roller blinds are made without a transverse seam wherever possible. Note the fitting instructions regarding fabric qualities and the transverse seam in the roller blind catalogue, "Textile notes" section.											
Fabric size:	See the bottom of this page for precise information on how to calculate the fabric size.											
Additional equipment:	- Metal chain - External aluminium weighted rod (100, 171): drop-shaped 12 x 21 mm, rectangular 8 x 25 mm - Side guide (not for rectangular weighted rod)											
Installation:	<table border="1"> <thead> <tr> <th>Bracket mounting:</th> <th>Mounting rail:</th> </tr> </thead> <tbody> <tr> <td>- Bracket for wall/ceiling installation, optionally with a larger wall clearance (52-72 mm). - Clamp bracket</td> <td>- Mounting clip for wall and ceiling installation, 2 clips up to a width of 120 cm, 3 clips up to a width of 180 cm, 4 clips up to a width of 240 cm, 5 clips up to a width of 260 cm. - Special clip for soft substructures</td> </tr> </tbody> </table>	Bracket mounting:	Mounting rail:	- Bracket for wall/ceiling installation, optionally with a larger wall clearance (52-72 mm). - Clamp bracket	- Mounting clip for wall and ceiling installation, 2 clips up to a width of 120 cm, 3 clips up to a width of 180 cm, 4 clips up to a width of 240 cm, 5 clips up to a width of 260 cm. - Special clip for soft substructures							
Bracket mounting:	Mounting rail:											
- Bracket for wall/ceiling installation, optionally with a larger wall clearance (52-72 mm). - Clamp bracket	- Mounting clip for wall and ceiling installation, 2 clips up to a width of 120 cm, 3 clips up to a width of 180 cm, 4 clips up to a width of 240 cm, 5 clips up to a width of 260 cm. - Special clip for soft substructures											
Child safety:	The safety tensioner is supplied pre-fitted on the operating chain, see also page 76. Caution: Be sure to fit in correct direction and to keep chain taut. Correct positioning of the safety tensioner must be checked regularly and, in the case of doubt, re-adjusted.											
Operation lengths:	Operation length from 50 cm to 150 cm in 10 cm increments, operation length from 175 cm to 300 cm in 25 cm increments. Delivery with the exact or next smaller operation length. Other operation lengths available on request (surcharge applies). Please also see the note on page 76.											

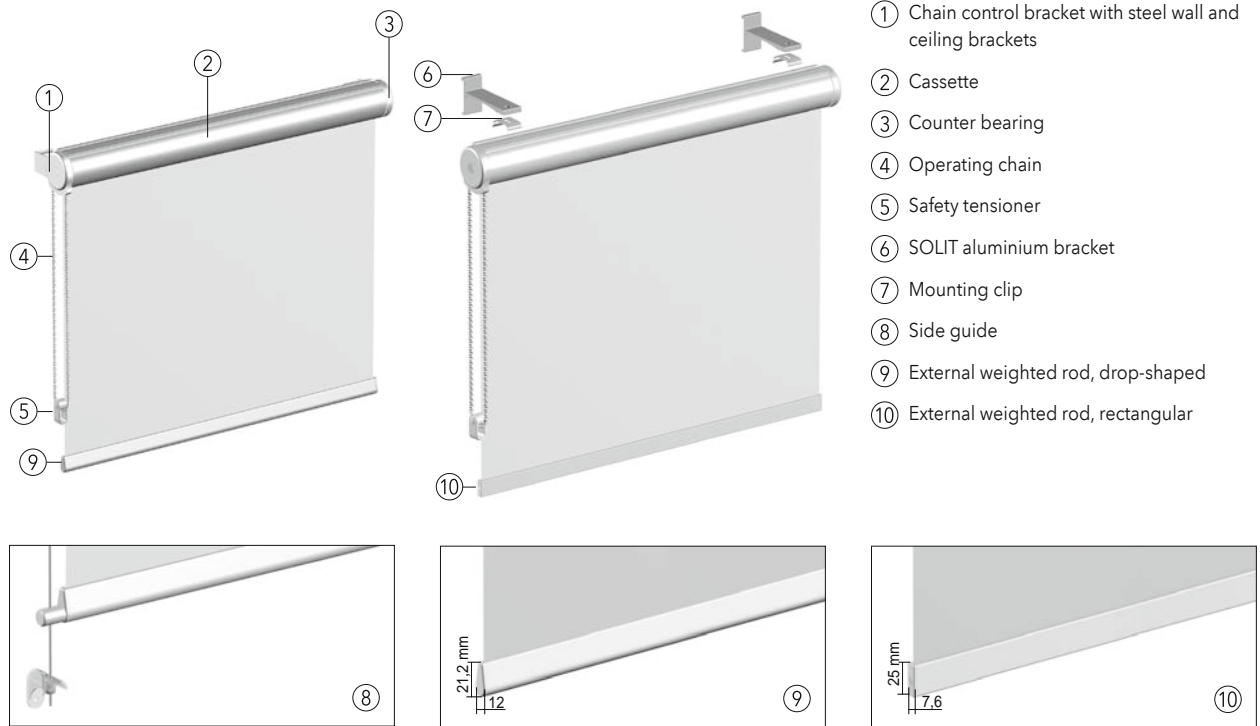
MOTION roller blind - Calculation of fabric size

Model	Operation option	Equipment	Unit height	Fabric size
04-2445	Operating chain	Mounting clip/ bracket mounting/ mounting rail/cassette	up to 250 cm	Unit width - 38 mm
04-2445	Operating chain	Mounting clip/ bracket mounting/ mounting rail/cassette	from 250 cm	Unit width - 42 mm

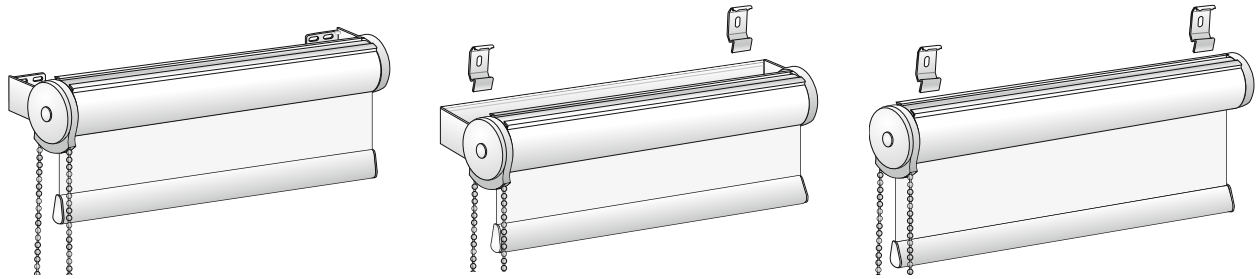
Technical data

04-2445 MOTION cassette

Hardware



Installation options

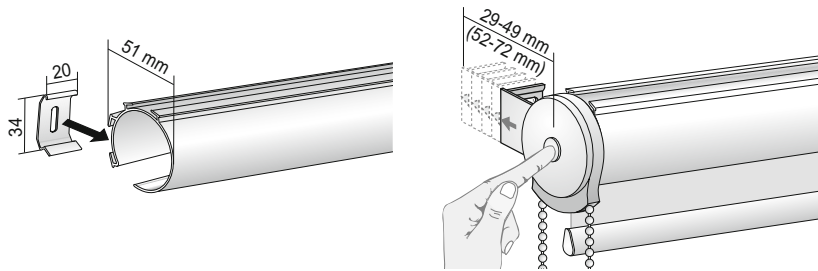


Wall/ceiling installation with bracket

Wall/ceiling installation with mounting rail and mounting clip

Wall/ceiling installation with mounting clip

Function



Installation of mounting clip for wall/ceiling installation

Bracket with variable wall clearance

04-2445 MOTION cassette

Technical data

Model:	04-2445											
Operation options:	- Operating chain											
Equipment:	- Cassette with bracket mounting - Cassette with mounting rail and mounting clip - Cassette with mounting clip											
Description:	Chain operation roller blind, bracket with integrated chain gear 1:1, rotating chain sprocket cover and brake, transparent endless bead chain on left or right. With bracket mounting and mounting rail, wall clearance can be adjusted at the touch of a button. Painted white steel roller blind tube \varnothing 25 mm. Extruded aluminium cassette. External, drop-shaped or rectangular aluminium weighted rod in the hardware colour.											
Hardware colours:	100 silver anodised 171 white powder-coated RAL colours on request											
Dimensions:	<table border="1"> <thead> <tr> <th rowspan="2">Operation/Function</th> <th colspan="3">Blind unit sizes</th> </tr> <tr> <th>Min. width</th> <th>Max. width</th> <th>Max. height</th> </tr> </thead> <tbody> <tr> <td>Operating chain</td> <td>from 10 cm</td> <td>up to 180 cm</td> <td>200 cm*</td> </tr> </tbody> </table> <p>* Fabric thickness max. 0.48 mm</p> <p>Please note: If the width to height ratio is greater than 1:4, there is an increased risk of skewing. If in doubt, please enquire in advance. For recess installation: width = recess dimension - 5 mm.</p>	Operation/Function	Blind unit sizes			Min. width	Max. width	Max. height	Operating chain	from 10 cm	up to 180 cm	200 cm*
Operation/Function	Blind unit sizes											
	Min. width	Max. width	Max. height									
Operating chain	from 10 cm	up to 180 cm	200 cm*									
Fabrics:	See MHZ Collection. MHZ roller blinds are made without a transverse seam wherever possible. Note the fitting instructions regarding fabric qualities and the transverse seam in the roller blind catalogue, "Textile notes" section.											
Fabric size:	See the bottom of this page for precise information on how to calculate the fabric size.											
Additional equipment:	- Metal chain - Side guide, bracket mounting and mounting rail only (not for rectangular weighted rod) - SOLIT aluminium bracket with mounting clip - Fabric exit at front (only models without a cassette)											
Installation:	<table border="1"> <thead> <tr> <th>Bracket mounting:</th> <th>Mounting rail:</th> <th>Mounting clip:</th> </tr> </thead> <tbody> <tr> <td>- Bracket for wall/ceiling installation, optionally with a larger wall clearance (52-72 mm). - Clamp bracket</td> <td>- Mounting clip for wall and ceiling installation, 2 clips up to a width of 120 cm, 3 clips up to a width of 180 cm. - Special clip for soft substructures - Larger wall clearance (52-72 mm) on request.</td> <td>Mounting clip for wall/ceiling installation, 2 clips up to a width of 120 cm, 3 clips up to a width of 180 cm.</td> </tr> </tbody> </table>	Bracket mounting:	Mounting rail:	Mounting clip:	- Bracket for wall/ceiling installation, optionally with a larger wall clearance (52-72 mm). - Clamp bracket	- Mounting clip for wall and ceiling installation, 2 clips up to a width of 120 cm, 3 clips up to a width of 180 cm. - Special clip for soft substructures - Larger wall clearance (52-72 mm) on request.	Mounting clip for wall/ceiling installation, 2 clips up to a width of 120 cm, 3 clips up to a width of 180 cm.					
Bracket mounting:	Mounting rail:	Mounting clip:										
- Bracket for wall/ceiling installation, optionally with a larger wall clearance (52-72 mm). - Clamp bracket	- Mounting clip for wall and ceiling installation, 2 clips up to a width of 120 cm, 3 clips up to a width of 180 cm. - Special clip for soft substructures - Larger wall clearance (52-72 mm) on request.	Mounting clip for wall/ceiling installation, 2 clips up to a width of 120 cm, 3 clips up to a width of 180 cm.										
Child safety:	The safety tensioner is supplied pre-fitted on the operating chain, see also page 76. Caution: Be sure to fit in correct direction and to keep chain taut. Correct positioning of the safety tensioner must be checked regularly and, in the case of doubt, re-adjusted.											
Operation lengths:	Operation length from 50 cm to 150 cm in 10 cm increments, operation length from 175 cm to 300 cm in 25 cm increments. Delivery with the exact or next smaller operation length. Other operation lengths available on request (surcharge applies). Please also see the note on page 76.											

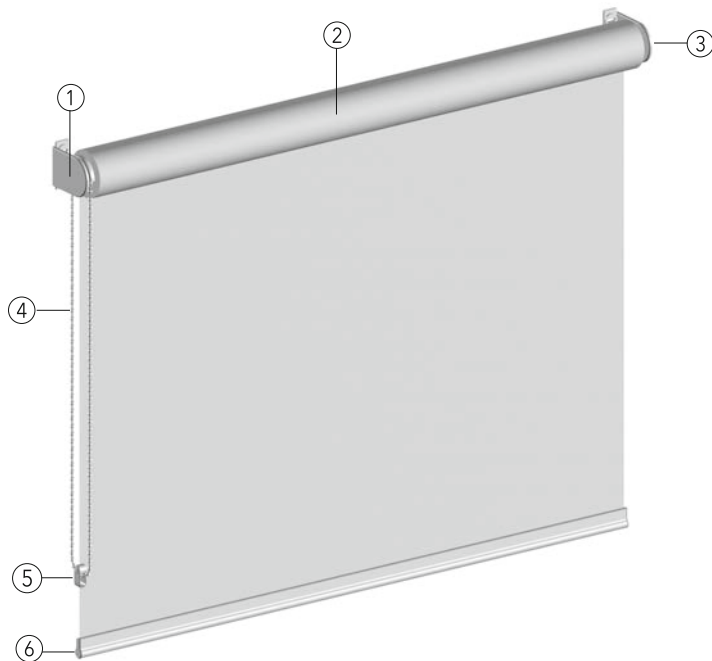
MOTION roller blind - Calculation of fabric size

Model	Operation option	Equipment	Unit height	Fabric size
04-2445	Operating chain	Mounting clip/ bracket mounting/ mounting rail/cassette	up to 250 cm	Unit width - 38 mm
04-2445	Operating chain	Mounting clip/ bracket mounting/ mounting rail/cassette	from 250 cm	Unit width - 42 mm

Technical data

04-2501 BIG bracket

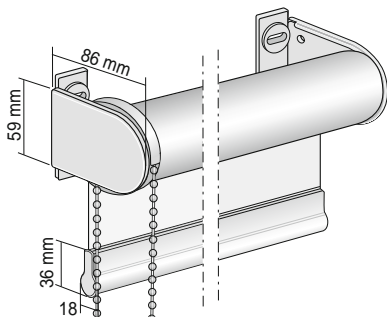
Hardware without cover



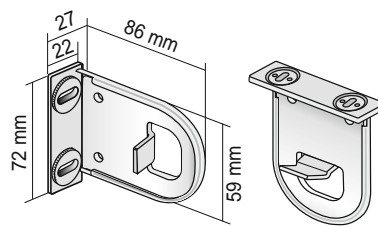
- ① Roller blind bracket and chain control gear
- ② Roller blind tube with fabric
- ③ Roller blind bracket and counter bearing
- ④ Operating chain
- ⑤ Safety tensioner
- ⑥ External weighted rod
- ⑦ Side guide



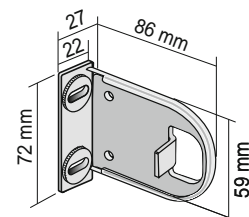
Installation options



Wall/ceiling installation with bracket



Bracket for wall/ceiling installation



Wall and ceiling brackets for roller blind tube Ø 75 mm

Technical data

Model:	04-2501
Operation options:	<ul style="list-style-type: none"> - Operating chain - Electric drive 230 V - Electric radio drive 230 V
Equipment:	<ul style="list-style-type: none"> - Bracket mounting
Description:	<p>Operating chain: Chain operation roller blind with integrated chain gear, transparent endless bead chain on left or right. Aluminium roller blind tube ø 65 mm. External aluminium weighted rod 18 x 36 mm.</p> <p>Electric drive 230 V: Electric roller blind 230 V with LT 50 Start, LT 50, Sonesse (low noise) drive or with Altus Start, Altus, Sonesse (low noise), Sunea Screen io integrated radio drive. With adjustable final position switch-off. Aluminium roller blind tube ø 65 mm. External aluminium weighted rod 18 x 36 mm. For electrical accessories, see the separate MHZ Electrical Price List.</p>
Hardware colours:	100 silver coloured, 171 white, 670 black (see page 8), RAL colours on request

Dimensions:	Operation/Function	Blind unit sizes		
		Min. width	Max. width	Max. height
	Operating chain	from 45 cm	up to 400 cm	400 cm
	Electric drive 230 V, LT50 Start 6/17	from 62 cm	up to 400 cm	400 cm
	Electric drive 230 V, LT50 6/17	from 65 cm	up to 400 cm	400 cm
	Electric drive 230 V, Sonesse 50 6/28	from 73 cm	up to 400 cm	400 cm
	Electric radio drive 230 V, Altus 50 RTS Start 6/17	from 72 cm	up to 400 cm	400 cm
	Electric radio drive 230 V, Altus 50 RTS 6/17	from 75 cm	up to 400 cm	400 cm
	Electric radio drive 230 V, Sonesse 50 RTS 6/28	from 78 cm	up to 400 cm	400 cm
	Electric radio drive 230 V, Sunea 50 Screen io 6/32	from 79 cm	up to 400 cm	400 cm

Please note: If the width to height ratio is greater than 1:4, there is an increased risk of skewing. If in doubt, please enquire in advance. For recess installation: width - 2 mm

Gear:	Blind fabric weight incl. weighted rod (423 g/m)	Drive			
		Operating chain	Operating chain	Operating chain	Electric drive
	up to 6 kg	up to 7 kg	up to 9.5 kg	up to 12 kg	
	Drive	Operating chain	Operating chain	Electric drive	
	Gear	1:1	1:1.47	1:2.15	

Fabrics:	See MHZ Collection. Please note: The fabrics available to select for a width of 340 cm or above are limited (see MHZ Collection). MHZ roller blinds are made without a transverse seam wherever possible. The remaining length with the transverse seam is positioned at the top. Note the fitting instructions regarding fabric qualities and the transverse seam in the roller blind catalogue, "Textile notes" section.
----------	--

Fabric size:	See page 72 for precise information on how to calculate the fabric size.
--------------	--

Additional equipment:	<ul style="list-style-type: none"> - Metal chain - Side guide - Aluminium design covers - Roller blind tube ø 75 mm - Fabric exit at front
-----------------------	---

Installation:	Bracket mounting: Bracket for wall/ceiling installation and recess installation.
---------------	---

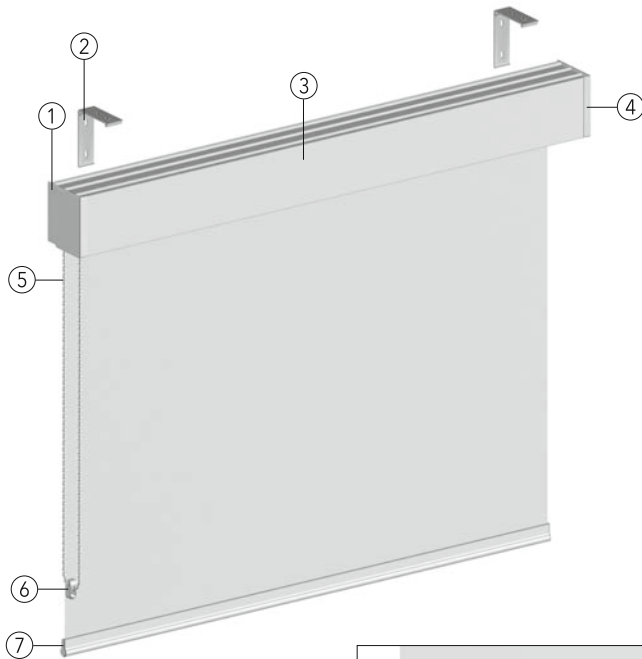
Child safety:	The safety tensioner is supplied pre-fitted on the operating chain, see also page 76. Caution: Be sure to fit in correct direction and to keep chain taut. Correct positioning of the safety tensioner must be checked regularly and, in the case of doubt, re-adjusted.
---------------	--

Operation lengths:	Operation length from 50 cm to 150 cm in 10 cm increments, operation length from 175 cm to 350 cm in 25 cm increments. Delivery with the exact or next smaller operation length. Other operation lengths available on request (surcharge applies). Please also see the note on page 76.
--------------------	---

Technical data

04-2501 BIG cassette

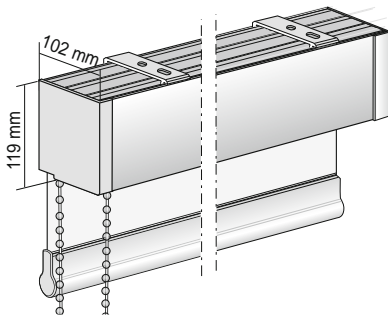
Hardware



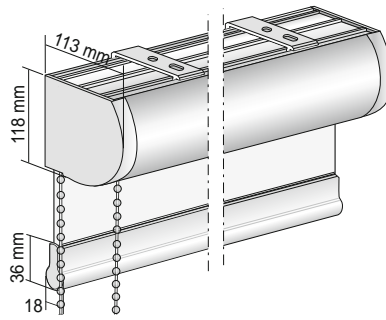
- ① Chain control gear
- ② Bracket with threaded pin for wall and ceiling
- ③ Cassette, square
- ④ Counter bearing
- ⑤ Operating chain
- ⑥ Safety tensioner
- ⑦ External weighted rod
- ⑧ Side guide



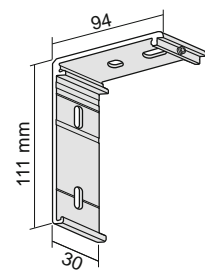
Installation options



Wall/ceiling installation
Cassette, square, with bracket



Wall/ceiling installation
Cassette, round, with bracket



Bracket for wall/ceiling installation

Technical data

Model: 04-2501

Operation options:

- Operating chain
- Electric drive 230 V
- Electric radio drive 230 V

Equipment:

- Cassette, square
- Cassette, round

Description: **Operating chain:** Chain operation roller blind with integrated chain gear, transparent endless bead chain on left or right. Aluminium roller blind tube \varnothing 65 mm. Extruded aluminium cassette. External aluminium weighted rod 18 x 36 mm.

Electric drive 230 V: Electric roller blind 230 V with LT 50 Start, LT 50, Sonesse (low noise) drive or with Altus Start, Altus, Sonesse (low noise), Sunea Screen io integrated radio drive. With adjustable final position switch-off. Aluminium roller blind tube \varnothing 65 mm. Extruded aluminium cassette. External aluminium weighted rod 18 x 36 mm. For electrical accessories, see the separate MHZ Electrical Price List.

Hardware colours: 100 silver anodised, 171 white powder-coated, RAL colours on request

Dimensions:	Operation/Function	Blind unit sizes		
		Min. width	Max. width	Max. height
	Operating chain	from 45 cm	up to 400 cm	400 cm*
	Electric drive 230 V, LT50 Start 6/17	from 62 cm	up to 400 cm	400 cm*
	Electric drive 230 V, LT50 6/17	from 65 cm	up to 400 cm	400 cm*
	Electric drive 230 V, Sonesse 50 6/28	from 73 cm	up to 400 cm	400 cm*
	Electric radio drive 230 V, Altus 50 RTS Start 6/17	from 72 cm	up to 400 cm	400 cm*
	Electric radio drive 230 V, Altus 50 RTS 6/17	from 75 cm	up to 400 cm	400 cm*
	Electric radio drive 230 V, Sonesse 50 RTS 6/28	from 78 cm	up to 400 cm	400 cm*
	Electric radio drive 230 V, Sunea 50 Screen io 6/32	from 79 cm	up to 400 cm	400 cm*

* Fabric thickness max. 0.64 mm

Please note: If the width to height ratio is greater than 1:4, there is an increased risk of skewing. If in doubt, please enquire in advance.

Gear:	Blind fabric weight incl. weighted rod (423 g/m)	up to 6 kg	up to 7 kg	up to 9.5 kg	up to 12 kg
		Operating chain	Operating chain	Operating chain	Electric drive
	Drive				
	Gear	1:1	1:1.47	1:2.15	1:1

Fabrics: See MHZ Collection.
Please note: The fabrics available to select for a width of 340 cm or above are limited (see MHZ Collection). MHZ roller blinds are made without a transverse seam wherever possible. The remaining length with the transverse seam is positioned at the top.
 Note the fitting instructions regarding fabric qualities and the transverse seam in the roller blind catalogue, "Textile notes" section.

Fabric size: See page 72 for precise information on how to calculate the fabric size.

Additional equipment:

- Metal chain
- Side guide
- Roller blind tube \varnothing 75 mm

Installation: **Bracket mounting:**
 Bracket for wall and ceiling installation.

Child safety: The safety tensioner is supplied pre-fitted on the operating chain, see also page 76.
Caution: Be sure to fit in correct direction and to keep chain taut. Correct positioning of the safety tensioner must be checked regularly and, in the case of doubt, re-adjusted.

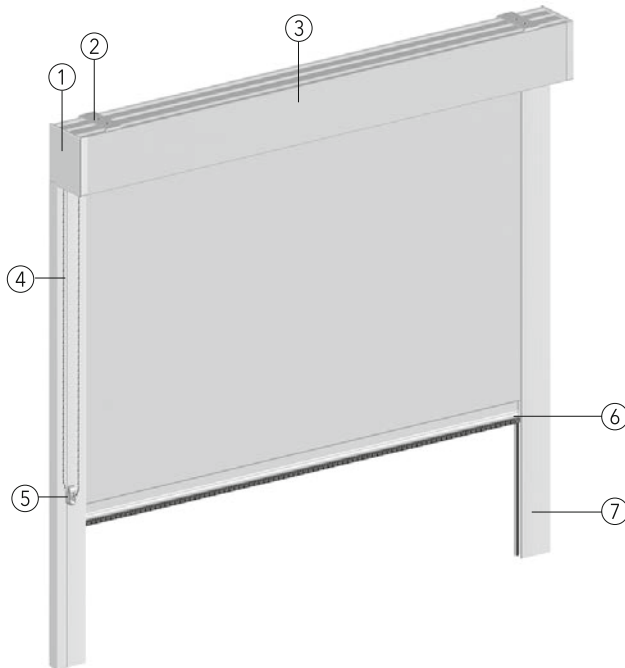
Operation lengths: Operation length from 50 cm to 150 cm in 10 cm increments, operation length from 175 cm to 300 cm in 25 cm increments. Delivery with the exact or next smaller operation length. Other operation lengths available on request (surcharge applies). Please also see the note on page 76.

Technical data

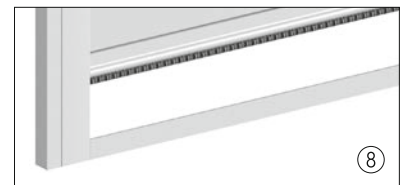
04-2510 BIG cassette

Side guide profile

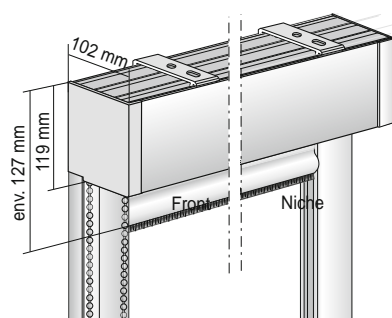
Hardware



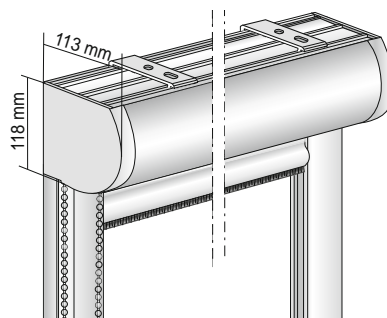
- ① Cover cap
- ② Bracket for wall and ceiling
- ③ Cassette, square
- ④ Operating chain
- ⑤ Safety tensioner
- ⑥ External weighted rod with brush seal
- ⑦ Side guide profile
- ⑧ Bottom rail



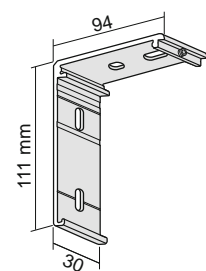
Installation options



Wall/ceiling installation
Cassette, square



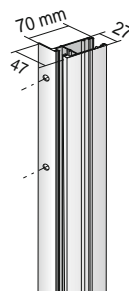
Wall/ceiling installation
Cassette, round



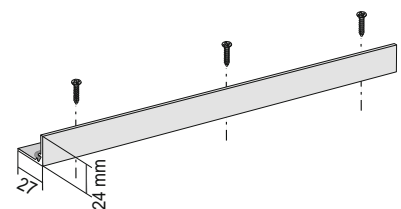
Bracket for wall/ceiling installation



Side guide profile for wall installation (front)



Side guide profile for recess installation



Bottom rail

04-2510 BIG cassette

Side guide profile

Technical data

Model:	04-2510				
Operation options:	<ul style="list-style-type: none"> - Operating chain - Electric drive 230 V - Electric radio drive 230 V 				
Equipment:	- Cassette, square, with side guide profile		- Cassette, round, with side guide profile		
Description:	<p>Operating chain: Chain operation roller blind with integrated chain gear, transparent endless bead chain on left or right. Aluminium roller blind tube \varnothing 65 mm. Extruded aluminium profiles. Side guide profiles with brush seal and, where applicable, bottom rail, external weighted rod 18 x 36 mm, with brush seal.</p> <p>Electric drive 230 V: Electric roller blind 230 V with LT 50 Start, LT 50, Sonesse (low noise) drive or with Altus Start, Altus, Sonesse (low noise), Sunea Screen io integrated radio drive. With adjustable final position switch-off. Aluminium roller blind tube \varnothing 65 mm. Extruded aluminium profiles. Side guide profiles with brush seal and, where applicable, bottom rail, external aluminium weighted rod 18 x 36 mm with brush seal. For electrical accessories, see the separate MHZ Electrical Price List.</p>				
Hardware colours:	100 silver anodised, 171 white powder-coated, RAL colours on request				
Dimensions:	Operation/Function	Blind unit sizes			
		Min. width	Max. width	Max. height	
	Operating chain	from 45 cm	up to 400 cm	400 cm*	
	Electric drive 230 V, LT50 Start 6/17	from 62 cm	up to 400 cm	400 cm*	
	Electric drive 230 V, LT50 6/17	from 65 cm	up to 400 cm	400 cm*	
	Electric drive 230 V, Sonesse 50 6/28	from 73 cm	up to 400 cm	400 cm*	
	Electric radio drive 230 V, Altus 50 RTS Start 6/17	from 72 cm	up to 400 cm	400 cm*	
	Electric radio drive 230 V, Altus 50 RTS 6/17	from 75 cm	up to 400 cm	400 cm*	
	Electric radio drive 230 V, Sonesse 50 RTS 6/28	from 78 cm	up to 400 cm	400 cm*	
	Electric radio drive 230 V, Sunea 50 Screen io 6/32	from 79 cm	up to 400 cm	400 cm*	
	* Fabric thickness max. 0.64 mm				
	Please note: If the width to height ratio is greater than 1:4, there is an increased risk of skewing.				
Gear:	Blind fabric weight incl. weighted rod (423 g/m)	up to 6 kg	up to 7 kg	up to 9.5 kg	up to 12 kg
	Drive	Operating chain	Operating chain	Operating chain	Electric drive
	Gear	1:1	1:1.47	1:2.15	1:1
Fabrics:	<p>See MHZ Collection.</p> <p>Please note: The fabrics available to select for a width of 340 cm or above are limited (see MHZ Collection). MHZ roller blinds are made without a transverse seam wherever possible. The remaining length with the transverse seam is positioned at the top. Note the fitting instructions regarding fabric qualities and the transverse seam in the roller blind catalogue, "Textile notes" section.</p>				
Fabric size:	See page 72 for precise information on how to calculate the fabric size.				
Additional equipment:	<ul style="list-style-type: none"> - Metal chain - Bottom rail 				
Installation:	Cassette	Side guide profiles			
	Bracket for wall and ceiling installation	<ul style="list-style-type: none"> - Wall installation (front) - Direct recess installation on straight (90°) frame 			
Child safety:	<p>The safety tensioner is supplied pre-fitted on the operating chain, see also page 76.</p> <p>Caution: Be sure to fit in correct direction and to keep chain taut. Correct positioning of the safety tensioner must be checked regularly and, in the case of doubt, re-adjusted.</p>				
Operation lengths:	Operation length from 50 cm to 150 cm in 10 cm increments, operation length from 175 cm to 300 cm in 25 cm increments. Delivery with the exact or next smaller operation length. Other operation lengths available on request (surcharge applies). Please also see the note on page 76.				
Note:	Cassette roller blinds and rail-guided units may only be lowered with the window closed. Otherwise there is the risk of a suction effect developing, which can pull the blind out of its side rails. If the unit is retracted in this condition, it may become damaged. Side guide profiles only have a dim-out effect.				

Technical data

BIG roller blind - Calculation of fabric size

Fabric size = unit width minus the stated dimensions

BIG

Model	Operation option	Equipment	Unit height	Fabric size
04-2501	Operating chain	Bracket mounting	up to 400 cm	Unit width - 48 mm
04-2501	Operating chain design cover	Bracket mounting	up to 400 cm	Unit width - 56 mm
04-2501	Electric drive 230 V, LT 50 Start, LT 50, Sonesse	Bracket mounting	up to 400 cm	Unit width - 54 mm
04-2501	Electric drive 230 V, LT 50 Start, LT 50, Sonesse design cover	Bracket mounting	up to 400 cm	Unit width - 62 mm
04-2501	Electric radio drive 230 V, Altus RTS Start, Altus RTS, Sonesse RTS, Sunea Screen io	Bracket mounting	up to 400 cm	Unit width - 54 mm
04-2501	Radio-operated electric drive 230 V, Altus RTS Start, Altus RTS, Sonesse RTS, Sunea Screen io design cover	Bracket mounting	up to 400 cm	Unit width - 62 mm
04-2501	Operating chain	Cassette	up to 400 cm	Unit width - 52 mm
04-2501	Electric drive 230 V, LT 50 Start, LT 50, Sonesse	Cassette	up to 400 cm	Unit width - 57 mm
04-2501	Electric radio drive 230 V, Altus RTS Start, Altus RTS, Sonesse RTS, Sunea Screen io	Cassette	up to 400 cm	Unit width - 57 mm
04-2510	Operating chain	Cassette	up to 400 cm	Unit width - 70 mm
04-2510	Electric drive 230 V, LT 50 Start, LT 50, Sonesse	Cassette	up to 400 cm	Unit width - 77 mm
04-2510	Electric radio drive 230 V, Altus RTS Start, Altus RTS, Sonesse RTS, Sunea Screen io	Cassette	up to 400 cm	Unit width - 77 mm