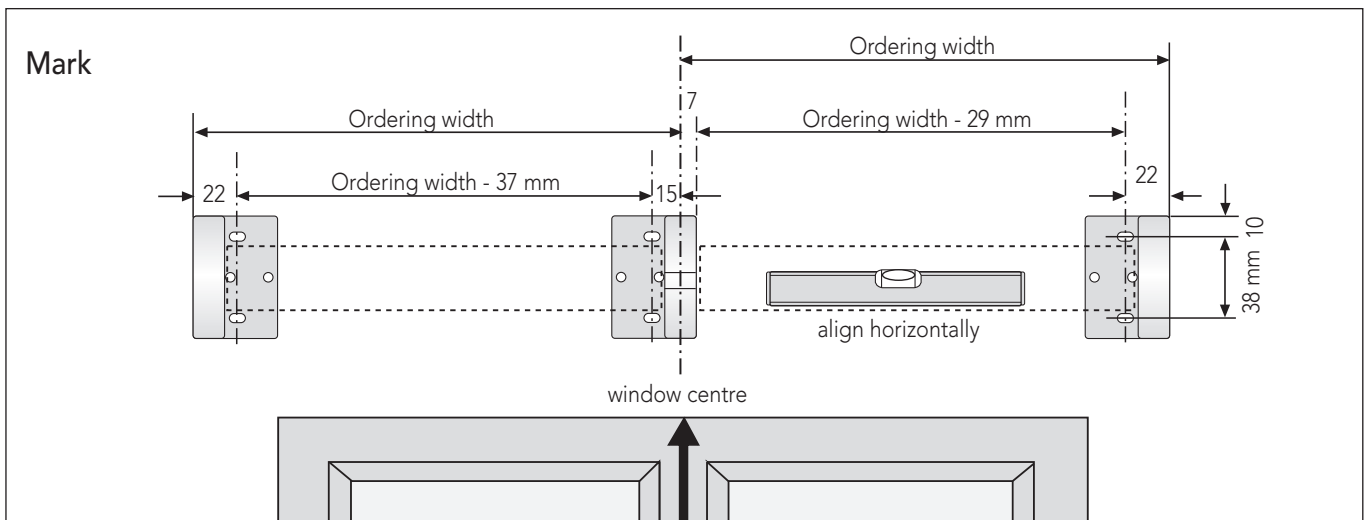
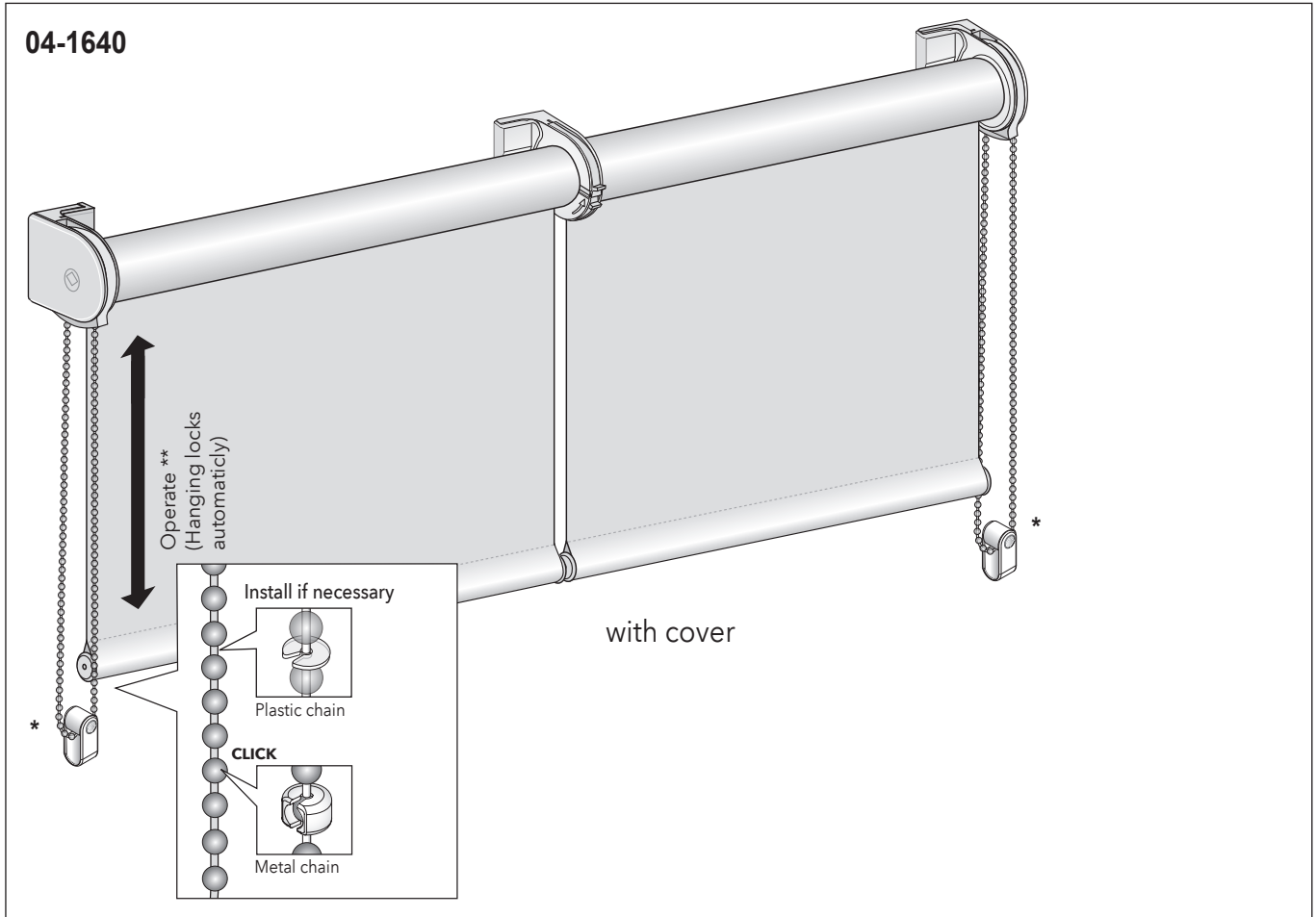


BASIC divided hanging



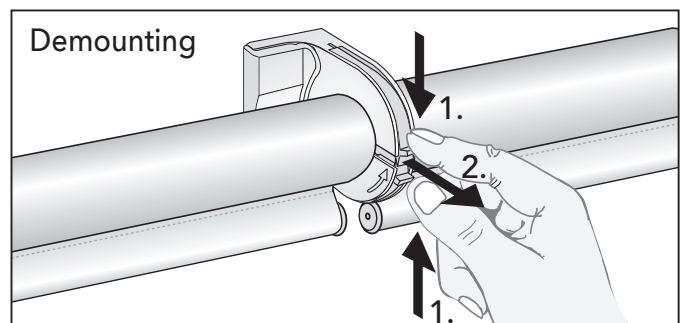
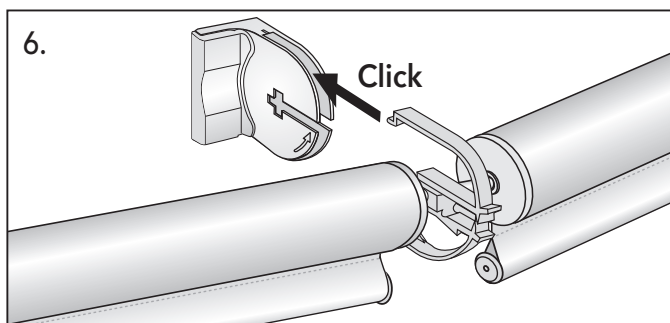
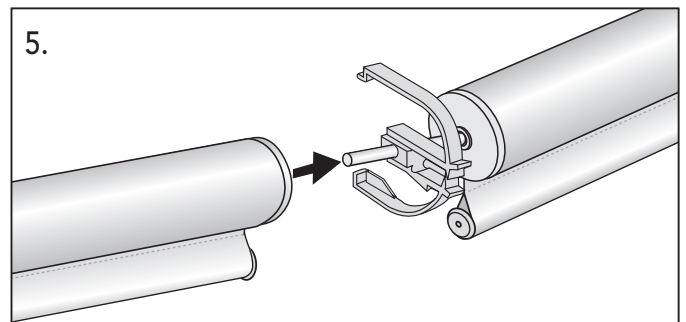
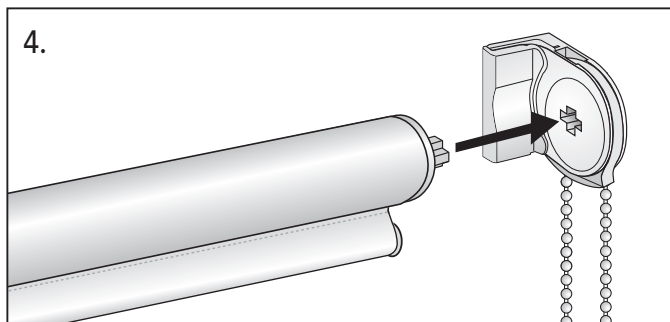
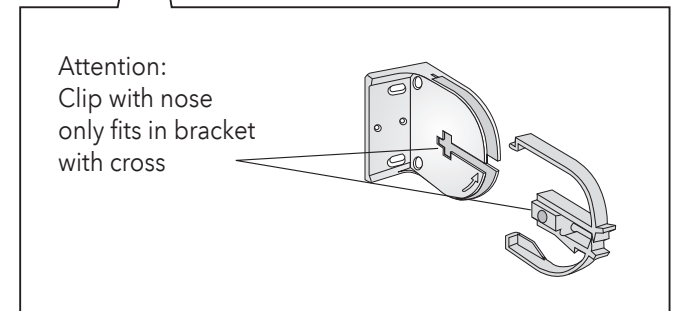
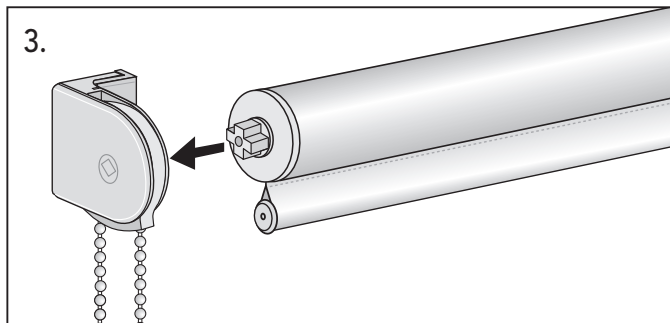
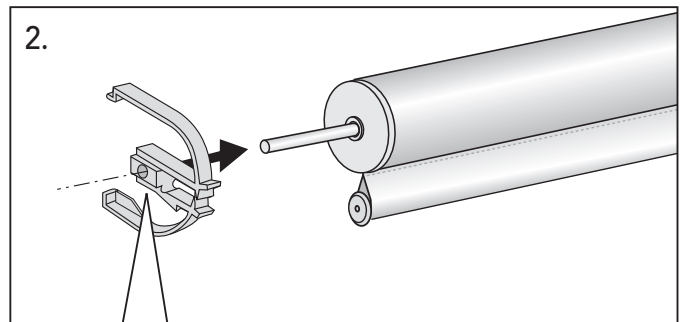
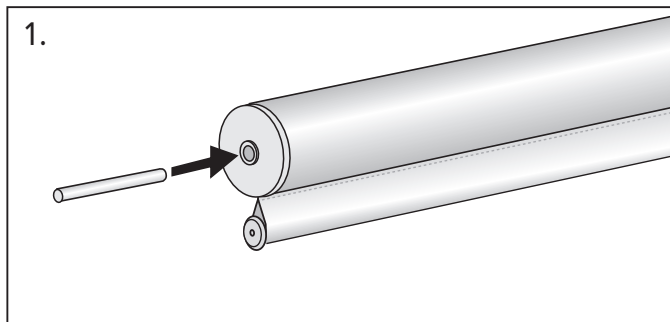
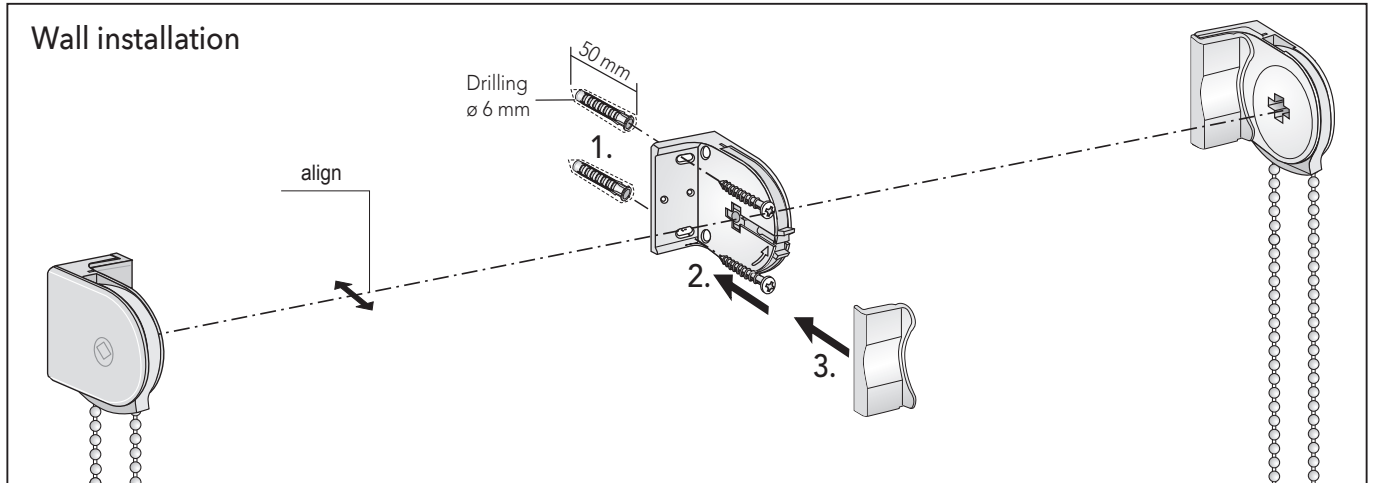
070055601

Attention: When using tools (ladders, drilling machines, etc.) for installation and maintenance of our products, always follow safety instructions of the manufacturer.

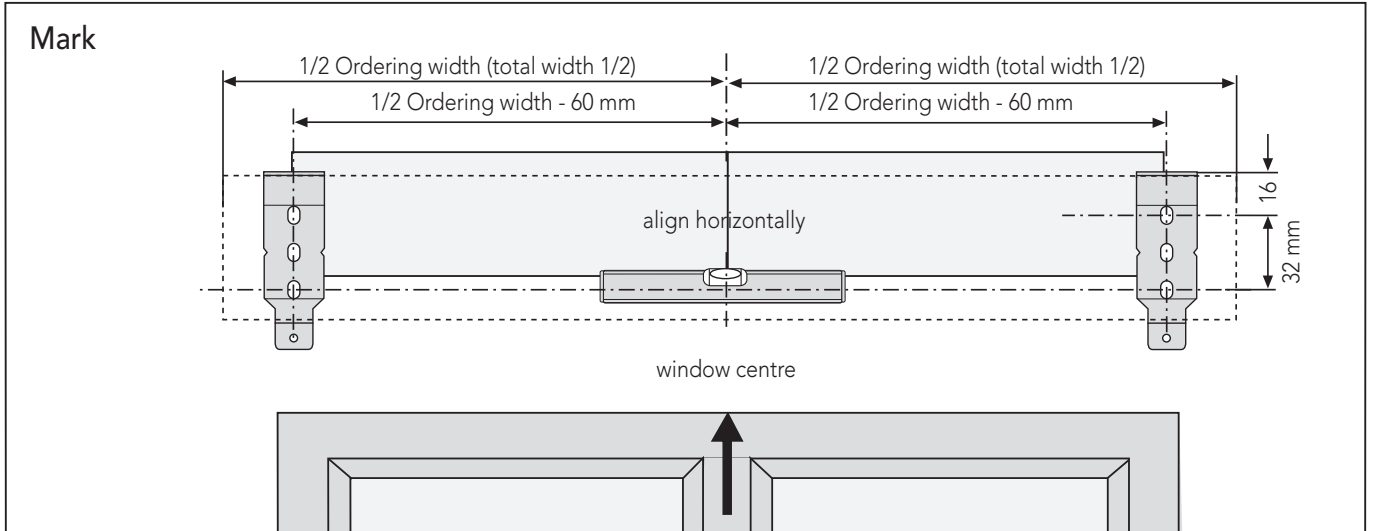


* With safety tensioner system for child safety (included in standard delivery), see p. 6
Please note: Be sure to fit in correct direction and to keep chain taut. Correct positioning of the safety tensioner system must be checked regularly and in the case of doubt be re-adjusted.

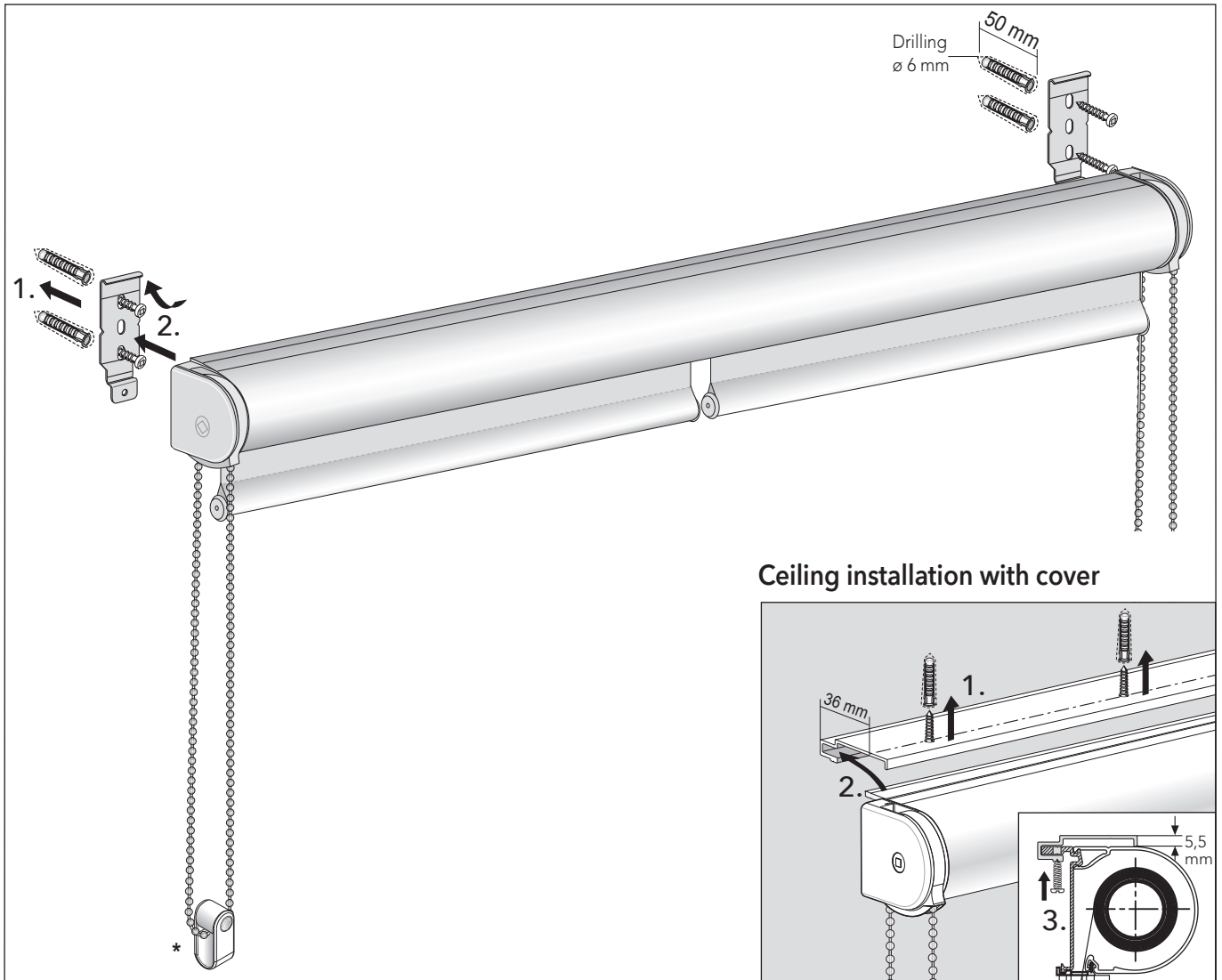
Bracket installation



Clip installation with cover



Clip installation wall

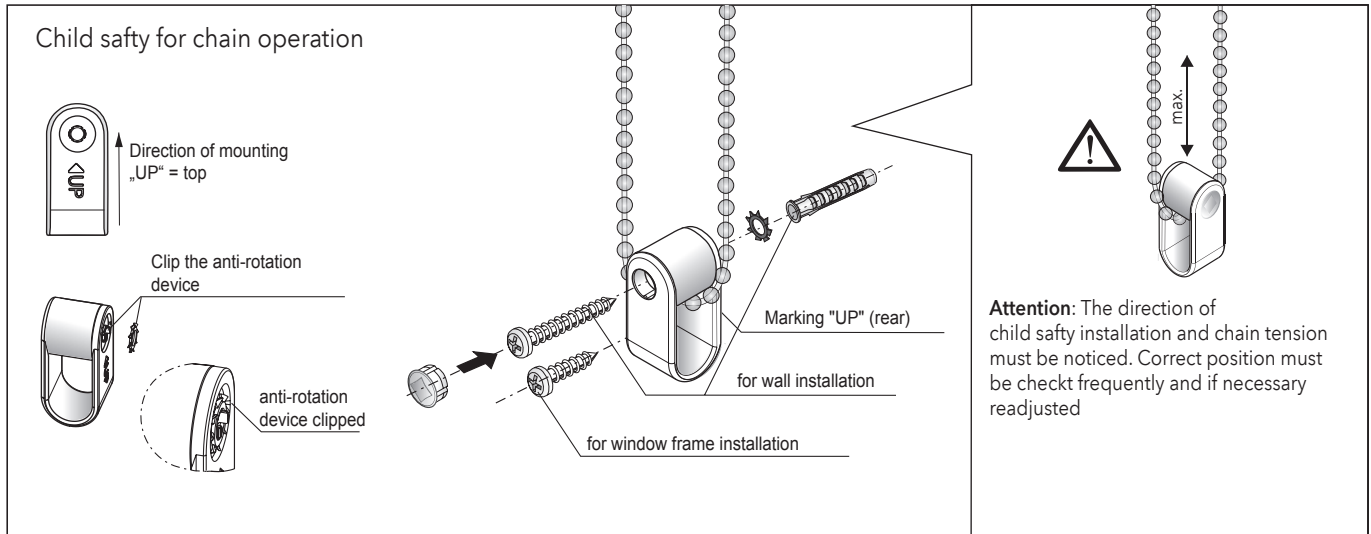


Ceiling installation with cover



* With safety tensioner system for child safety (included in standard delivery), see p. 6
Please note: Be sure to fit in correct direction and to keep chain taut. Correct positioning of the safety tensioner system must be checked regularly and in the case of doubt be re-adjusted.

Child safety system installation



ATTENTION

Please read the instructions carefully before mounting and using this device and fit accordingly. Children are at risk of strangulation if the device is not mounted correctly. Please keep the instructions for future reference.

The implementation of additional safety systems can help to reduce the risk of strangulation, but cannot, however, be seen as providing complete protection against misuse.

- Young children can be strangled by loops in pull cords, chains, tapes and inner cords that operate the product.
- To avoid strangulation and entanglement, keep cords out of the reach of young children. Cords may become wrapped around a child's neck.
- Move beds, cots and furniture away from window covering cords.
- Do not tie cords together. Make sure cords do not twist and create a loop.



Check the device if it is not in regular use and replace the device when it is damaged.

Warning notice in accordance with DIN EN 13120

Export department

MHZ Hachtel GmbH & Co. KG . P.O. Box 80 05 20 . D-70505 Stuttgart . Germany
Phone 0711/97 51-0 . Fax 0711/ 97 51-4 11 50 . www.mhz.de · export@mhz.de