



Roller blinds R_03, R_04 & R_05

More room for individuality



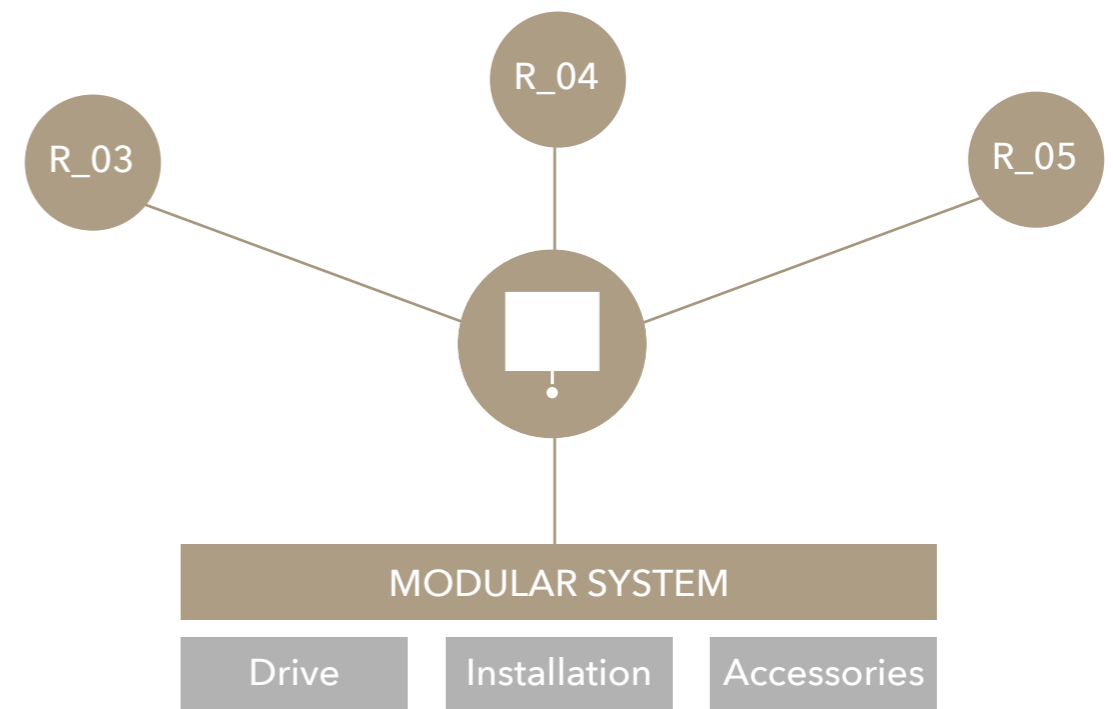
The MHZ roller blind product line

The perfect model for every requirement



Blind	SOLTIS 92 *5-2529
Hardware	R_05 bracket
Installation	Ceiling installation
Drive	Electric

*PG 5 + 25%



The addition of the R_04 and R_05 models to the MHZ roller blind product line opens up additional possibilities for privacy and sun protection. A single system can now provide shading for large windows with a width of up to 6 metres and a total surface area of 20 square metres.

The hardware, installation, drive and accessories are based on a modular system. The consistent design creates visual calm and encourages the mixing and matching of R_models.

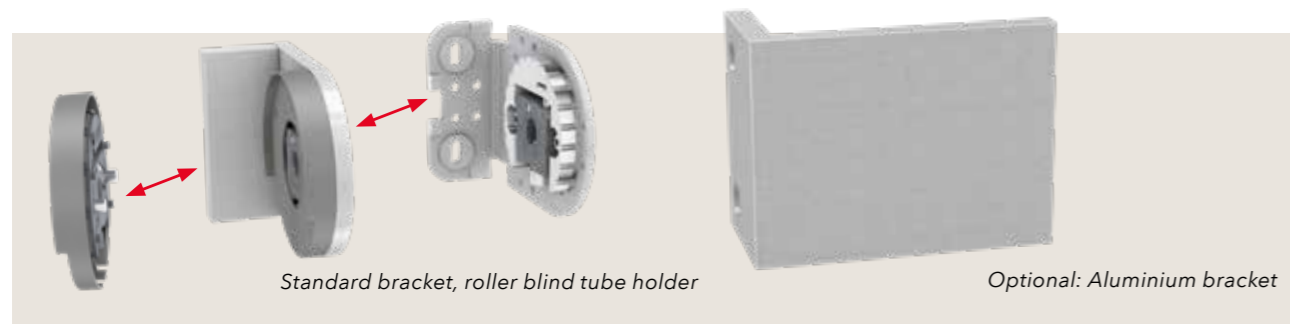
Title: Blind JAROS 3-1198, R_04, shaft installation, electric

R_04 Bracket mounting

Streamlined and robust



- Suitable for residential and commercial use
- Extra-sturdy metal brackets
- Identical clearance/light gap on both sides
- Accurate upper and lower end position adjustment
- Roller blind tube levelling device to compensate for minor variations in ceiling height
- Plastic panels for roller blind brackets available in five colours
- Optional: Aluminium bracket, can be painted in RAL colours

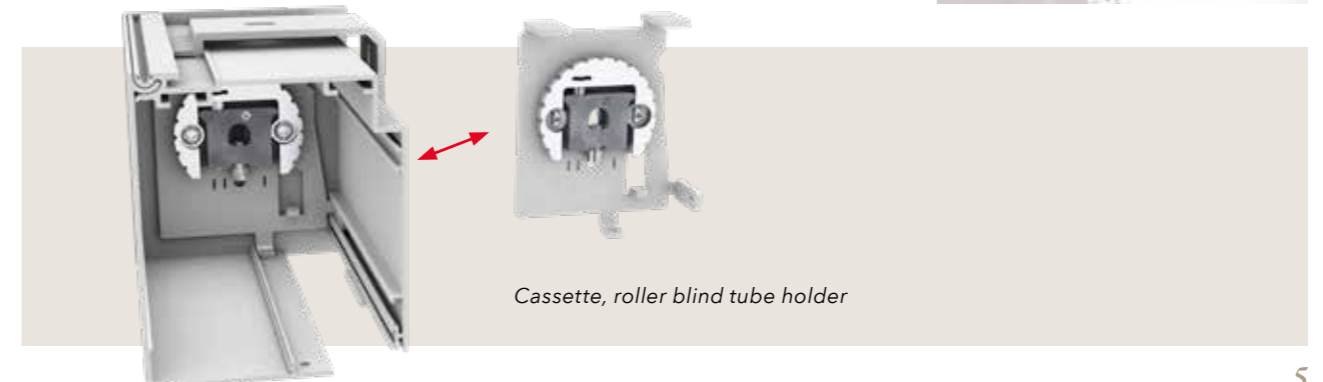


R_04 Cassette mounting

Simple and timeless

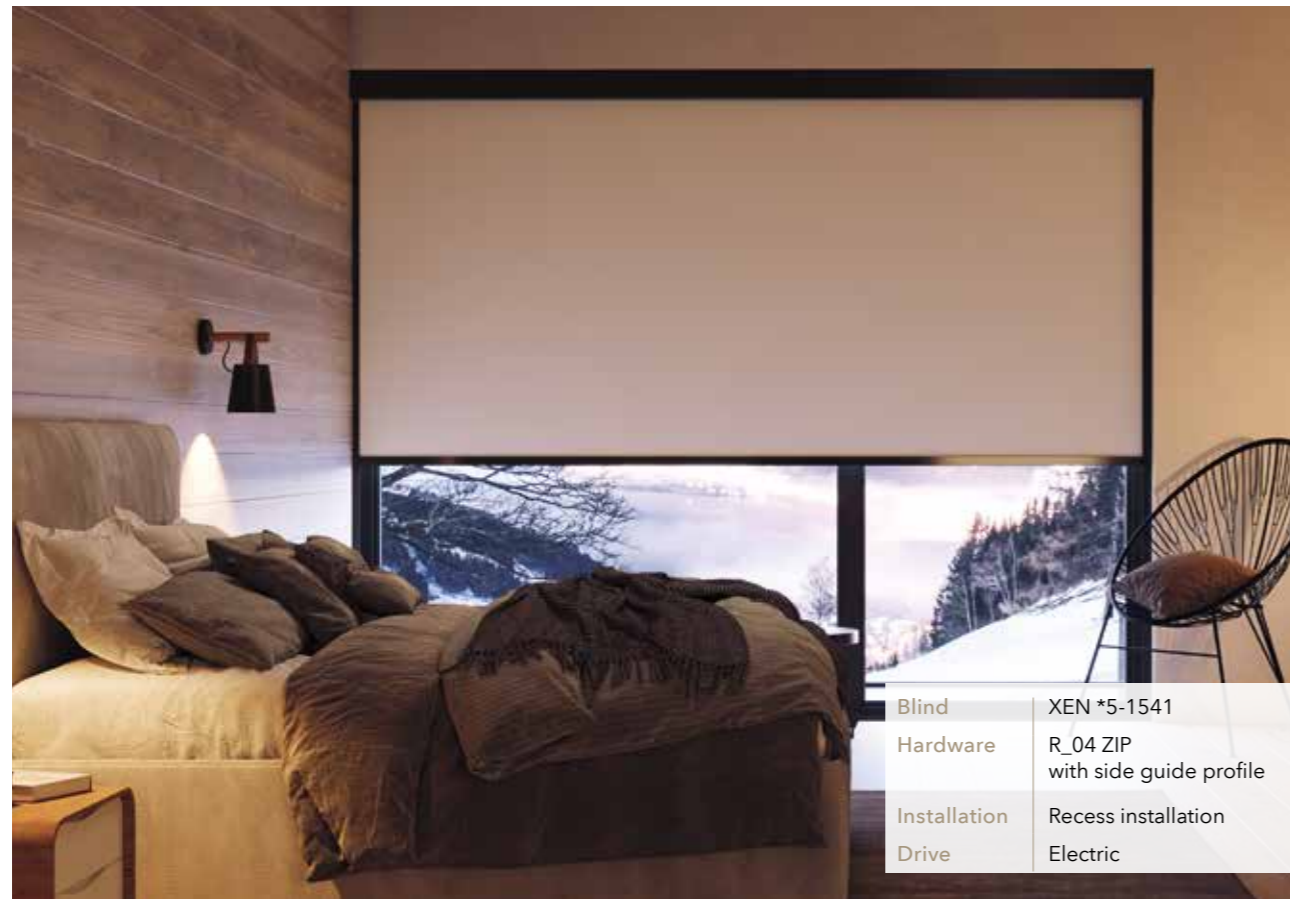


- Suitable for residential and commercial use
- Clear, functional aesthetics
- Invisible bracket concealed within the cassette
- Full metal cassette
- Harmonious overall appearance: Cassette and side cover can be painted in RAL colours
- Simple clip-on installation and a streamlined service hatch - similar to R_03
- Weighted rod flush with the cassette (depending on variant)



R_04 ZIP & side guide profile

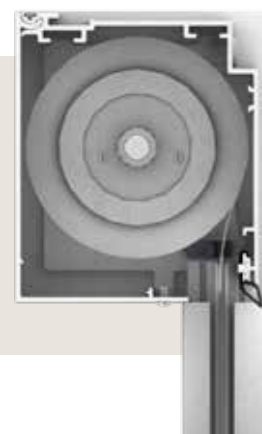
Close-fitting and blackout



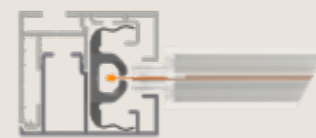
Blind	XEN *5-1541
Hardware	R_04 ZIP with side guide profile
Installation	Recess installation
Drive	Electric

* PG5 + 25%

- Suitable for residential and commercial interiors
- Sophisticated hardware combined with elegant design
- Electric drive for optimal ease of operation
- Reliable zip side guide
- Fixed fabric tension, high stability and draught resistance
- Optimal darkening effect when combined with blackout fabrics



ZIP cassette with side guide profile



Cross-section Side guide profile

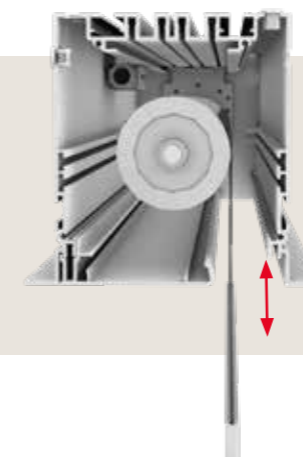
R_04 Shaft installation

Minimalist and design-focused



Blind	JAINA 2-1189
Hardware	R_04
Installation	Shaft installation
Drive	Electric

- Suitable for residential and commercial use
- Minimalist look with invisibly integrated hardware
- Simple installation in the shaft or suspended ceiling
- Symmetrical shaft profile with screw-in brackets
- Adjustable bracket position
- Retractable weighted rod closes with the shaft profile
- Service hatch access panel can be fitted at the front or the rear



Shaft installation cross-section

R_05 - for extra-large windows

High-quality and impressive



The R_05 model was created specifically for XXL glass façades in commercial or residential buildings. Featuring the latest MHZ technology, this roller blind ensures pleasant lighting conditions and reliable glare protection even for large panoramic windows.

- Suitable for residential and commercial use
- Width of up to 6 m or total surface area of 20 m²
- Exclusive look with stylish weighted rod
- Electric drive for optimal ease of operation
- Functional aluminium brackets for exceptional stability
- 65 mm roller blind tube with patented compensating device
- Roller blind tube levelling device to compensate for minor variations in ceiling height



R_05 bracket

Technical highlights R_04 and R_05

Compensating device



The levelling device allows the blind to be positioned in a straight line over a width of up to six metres. This makes even large installations achievable without sagging.

- For R_04 and R_05 with 65 mm roller blind tube
- Prevents sagging of the roller blind
- Ensures the best possible fabric look

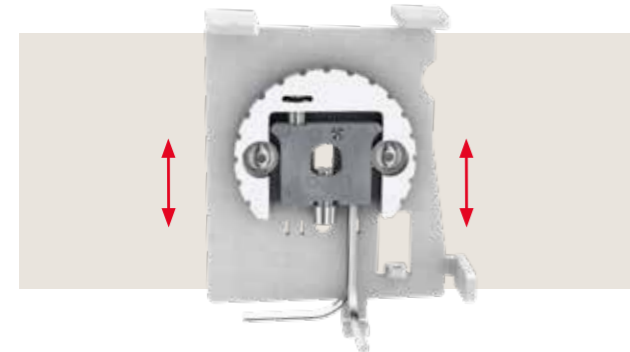
End position adjustment



The end positions are pre-set based on the order details and can be adjusted slightly with the end position adjustment. With bracket roller blinds, the upper and lower end positions can be adjusted when installed. For cassette roller blinds, only the lower end position can be adjusted.

- Allows for quick and easy end position adjustment with a key

Roller blind tube levelling device



Minor variations in ceiling height can be corrected and fabric skewing prevented with the integrated roller blind tube levelling device.

- For levelling the roller blind tube when installed
- Compensates for height differences of +/- 4 mm

R_03, R_04 and R_05

Model overview

R_family	Max. dimensions Width x height in cm	Installation	Levelling	End position adjustment	Operation					Shaft installation
					Crank	Soft with spring drive	Chain pull	Electric drive	Battery-operated radio drive	
R_03 bracket	280 x 300	Wall Ceiling Recess		Top		x	x	x	x	
R_03 cassette rectangular/round	280 x 300	Wall Ceiling		Top	x	x	x	x	x	
R_04 bracket	520 x 450 max. 16 m ²	Wall Ceiling Recess	x	Top & bottom			x	x		x
R_04 cassette rectangular	520 x 450 max. 16 m ²	Wall Ceiling	x	Bottom	x		x	x		
R_04 ZIP rectangular	400 x 300	Wall Recess	x	Top & bottom				x		
R_05 bracket	600 x 600 max. 20 m ²	Wall Ceiling	x	Top & bottom				x		

Hardware colours



R_03, R_04 and R_05 models					
Matt powder-coated, fine texture	x	x	x	x	x

Benefits of the MHZ roller blind product range

- Made in Germany
- Simple product overview
- High-quality hardware and solid construction
- Modern, elegant design thanks to slimline brackets
- Uniform design language
- Large selection of colours
- Quick to install/remove
- Similar hardware, operation, installation and accessories for all model variants
- Modular system for customised product configuration
- A range of variants for all requirements
- MHZ in-house development - quality and expertise guaranteed

More information is available in the current price list and the dealer login section on our website.



Subject to technical changes and colour deviations. 07-4050-408 / 03.2023

MHZ Hachtel GmbH & Co. KG · Sindelfinger Straße 21 · D-70771 Leinfelden-Echterdingen · www.mbz.de

MHZ Hachtel & Co. Ges.m.b.H. · Laxenburger Str. 244 · A-1230 Wien · www.mbz.at

MHZ Hachtel S.à.r.l. · 27, rue de Steinfort · L-8366 Hagen · www.mbz.lu

MHZ Hachtel & Co AG · Eichstrasse 10 · CH-8107 Buchs/Zürich · www.mbz.ch

ATES-Groupe MHZ · 1 B, rue Pégase - CS 20163 · F-67960 Entzheim · www.ates-mbz.com

MHZ Tecnología de Protección Solar S.L.U. · C/ Trafalgar 36, Loc. dcha. · www.mbz-iberia.es